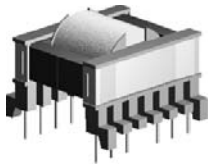


ETD39 4 Outputs: 5+12V / 5+12V Switching Transformer

Meisongbei



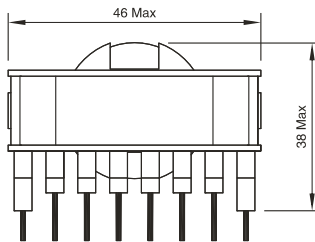
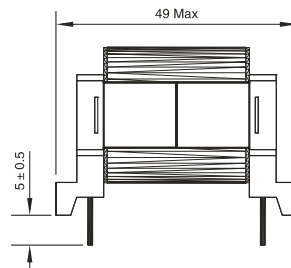
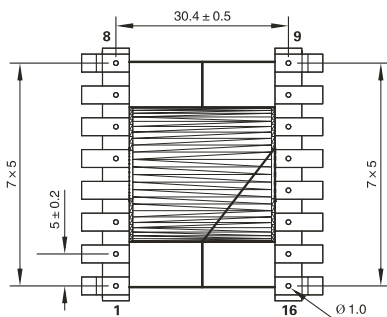
Features

- Primary / Secondary Insulation $\geq 4000V$
- Primary / Auxiliary Insulation $\geq 1500V$
- Creepage distances Primary / secondary $\geq 6mm$

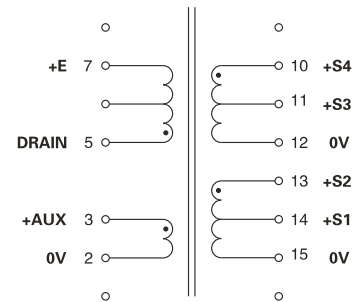
Applications

- AC-DC converters
- DC-DC converters
- Switch Power supplies
- SMPS: Flyback
- SMPS: Half Bridge and Full Bridge

Physical Characteristics (Unit:mm)



Schematic



Pin 4 Removed
PCB Hole Diameter=1.5mm

Electrical Characteristics

| Part Number | Output Power max | Windings | | | | | Inductance ($\pm 10\%$) | Ambient Temperature | Frequency |
|-------------|------------------|----------|-------|-------|--------------|---------------|---------------------------|---------------------|-----------|
| | | | Pins | Turns | Voltage | Current (max) | | | |
| ETD3901 | 140VA | Pri | 5-7 | 36 | 185-265 Vrms | 4 Apeak | 440 uH | <50°C | 132KHz |
| | | Aux | 3-2 | 4 | 7-14 Vdc | 0.5 Adc | | | |
| | | S1 | 14-15 | 2 | 3.3-6.5 Vdc | 5 Adc | | | |
| | | S2 | 13-15 | 5 | 8.5-17 Vdc | 5 Adc | | | |
| | | S3 | 11-12 | 2 | 3.3-6.5 Vdc | 5 Adc | | | |
| | | S4 | 10-12 | 5 | 8.5-17 Vdc | 5 Adc | | | |