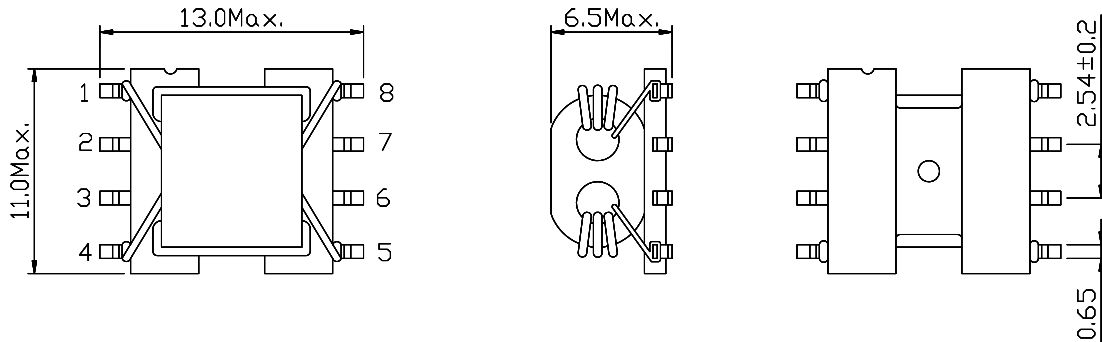


Feature and application

- SMD common mode choke
- Ideally used in EMC and balun conveter, CATV signal transfer
- RoHS Compliance.

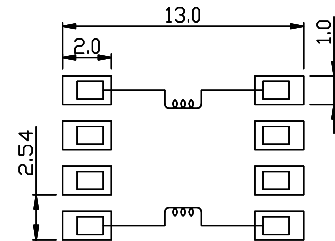
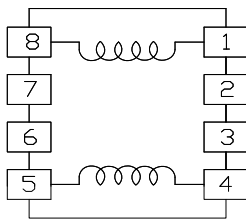


Dimensions(mm)



Connection Pins

Land Patterns(mm)

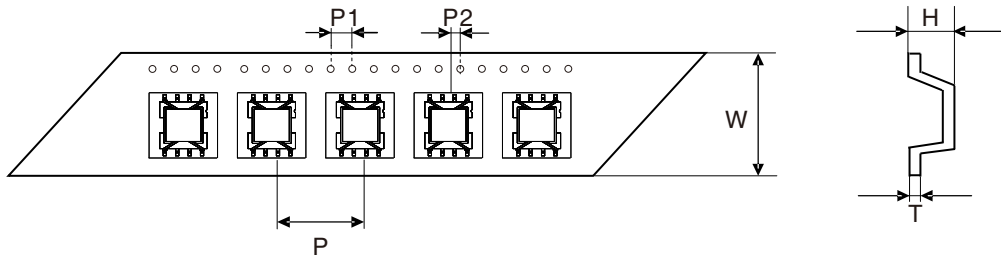


Electrical characteristics(at 20°C)

Part No.	Impedance (Ω) [Min.] @100MHz	Inductance (uH) (1-8=4-5)	D.C.R (mΩ) [Max.]	Hi-pot (Coil-Core)
MDB1065-651	650	2.4±40%	15	AC200V/5mA/1Sec

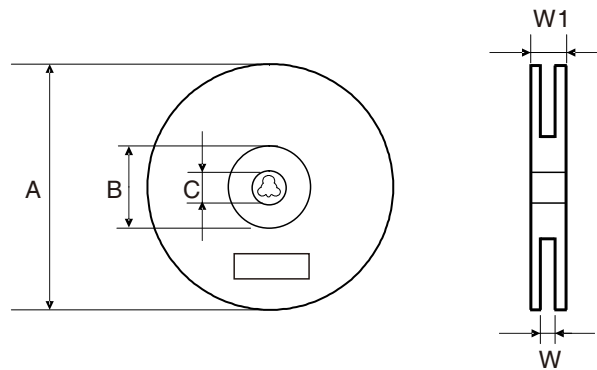
- Measuring equipment: HP4191A, TH2819A
- Inductance test condition: 1kHz,0.25V
- Insulation test (Coil-Coil): 100MΩ Min @ DC 80V

Tape & Reel Specifications:



Unit: mm

Type	Dimension	W	P	P1	P2	H	T
	Tolerance	±0.3	±0.1	±0.1	±0.1	±0.15	±0.05
MDB1065		24.0	16.0	4.00	2.00	6.00	0.35



Unit: mm

Type	Dimension	QTY Per Reel	A	B	C	W	W1
	Tolerance	Pcs	±2.0	min	±0.5	±0.5	±3.0
MDB1065		500	330	100	13.5	24.0	28.6