

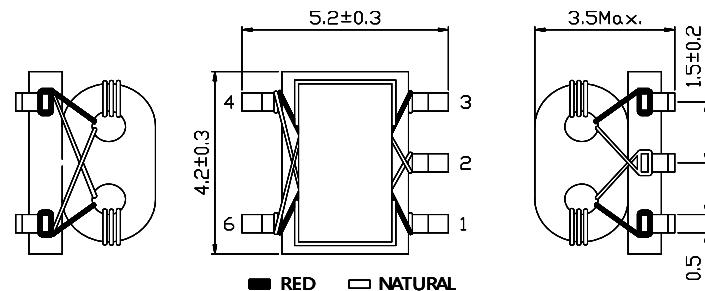


Feature and application

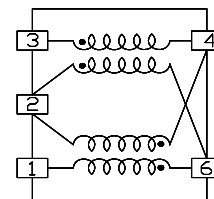
- Surface Mount.
- Available on tape and reel.
- Ideally suited for High volume CATV/Broadband applications.



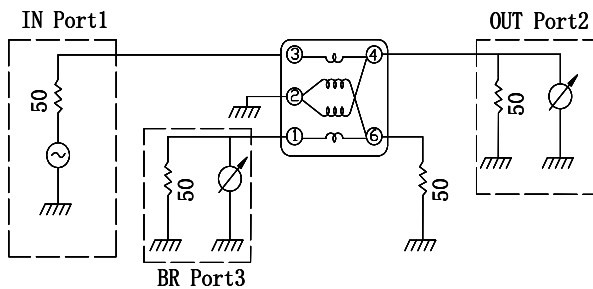
▶ Dimensions(mm)



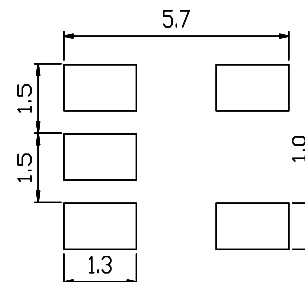
▶ Connection(Bottom view)



▶ Test Circuit



▶ Land Patterns(mm)

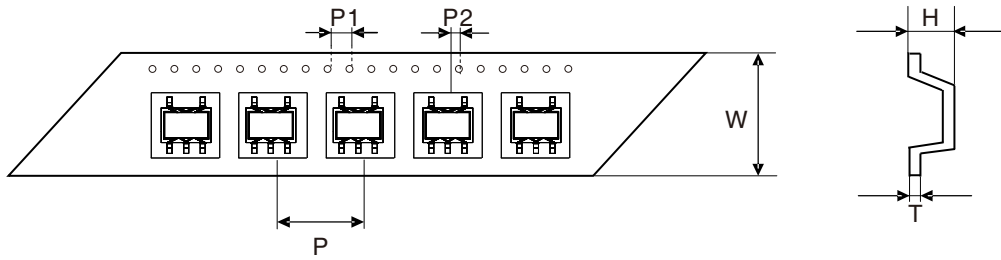


▶ Electrical characteristics(at 20°C)

Part No.	Turns		Wire	Inductance (uH) PIN(1-3) @100kHz,1V	D.C.R (mΩ) (PIN1-3)[Max.]
	PIN2-4=2-6	PIN1-6=3-4			
MB4F-617PS-1662B	1.5	4.5	2UEW-0.12	7.5Typ	200

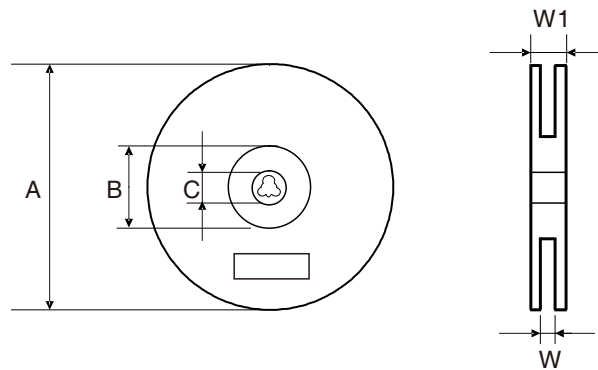
- Measuring equipment:
Ls-Q:HP4682A or equivalent
D.C.R:HIOKI 3540 or equivalent

Tape & Reel Specifications:



Unit: mm

Type	Dimension	W	P	P1	P2	H	T
		Tolerance	±0.3	±0.1	±0.1	±0.1	±0.15
MB4F		16.0	12.0	4.00	2.00	4.80	0.35



Unit: mm

Type	Dimension	QTY Per Reel	A	B	C	W	W1
		Tolerance	Pcs	±2.0	min	±0.5	±0.5
MB4F		1000	330	100	13.5	16.5	21.0