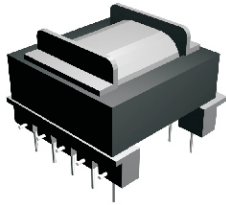


# EF20 - 2 or 3 Outputs: 5/5V or 12/12V or 3.3+5/12V Switching Transformer

**Meisongbei**



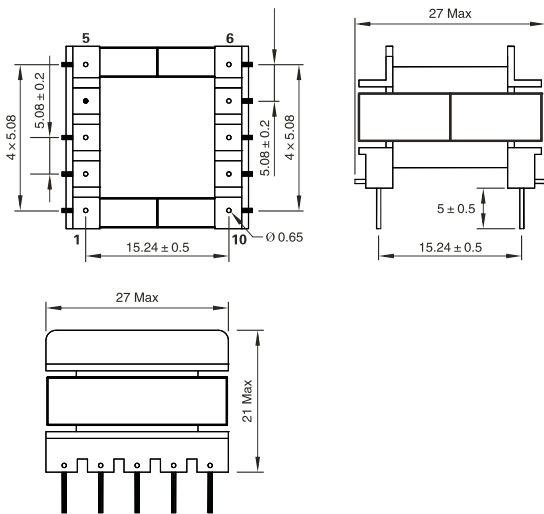
## Features

- Primary / Secondary Insulation  $\geq 4000V$
- Primary / Auxiliary Insulation  $\geq 1500V$
- Creepage distances Primary / secondary  $\geq 6mm$

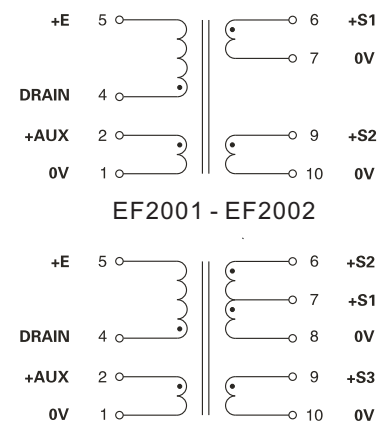
## Applications

- AC-DC converters
- DC-DC converters
- Switch Power supplies
- SMPS: Flyback
- SMPS: Half Bridge and Full Bridge

## Physical Characteristics (Unit:mm)



## Schematic



EF2001 - EF2002

EF2003

Pin 3 Removed  
PCB Hole Diameter=1.1mm

## Electrical Characteristics

Part Number	Output Power max	Windings						Ambient Temperature	Frequency
			Pins	Turns	Voltage	Current (max)	Inductance ( $\pm 10\%$ )		
EF2001	24VA	Pri	4-6	86	185 - 265 Vrms	1.0 Apeak	1000 uH	<50°C	132KHz
		Aux	2-1	12	11 - 18 Vdc	0.3 Adc			
		S1	6-7	10	9 - 15 Vdc	1.5 Adc			
		S2	9-10	10	9 - 15 Vdc	1.5 Adc			
EF2002	20VA	Pri	4-5	80	185 - 265 Vrms	0.9 Apeak	1100 uH	<50°C	132KHz
		Aux	2-1	17	15 Vdc	0.3 Adc			
		S1	7-8	4	3.3 Vdc	3 Adc			
		S2	6-8	6	5 Vdc	Sum S1+S2			
		S3	9-10	14	12 Vdc	1.3 Adc			
EF2003	20VA	Pri	4-5	86	185 - 265 Vrms	0.85 Apeak	1300 uH	<50°C	132KHz
		Aux	2-1	12	7 - 18 Vdc	0.3 Adc			
		S1	6-7	5	3 - 7.5 Vdc	2.0 Adc			
		S2	9-10	5	3 - 7.5 Vdc	2.0 Adc			