

10/100 BASE-T Single Port Transformer

- Cw/w: 25PF TYP @ 100KHz, 0.2V
- Polarity: 1-7, 16-10, In-Phase
- LL: 0.5uH Max @ 100KHz, 0.2V
- DCR: 0.9Ω Max
- Operating Temp: 0°C to +70°C

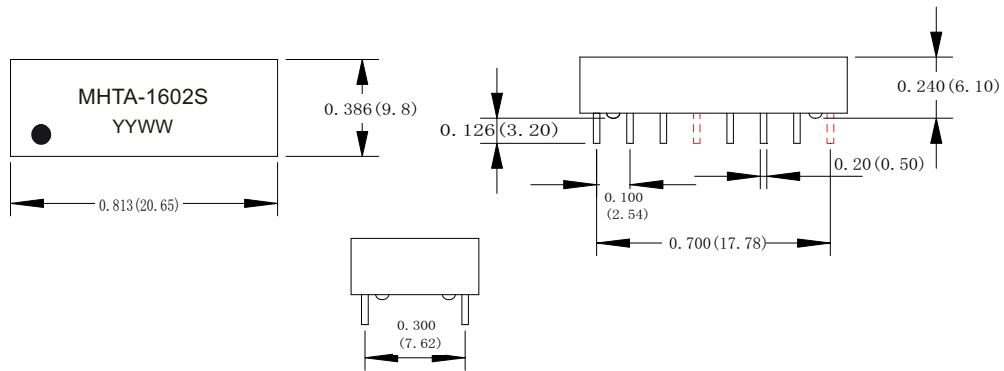
Electrical Specifications @25°C

Part Number	OCL(μH Min) @ 100kHz, 200mV	Turns Ratio chip: cable (±5%)	Insertion Loss (dB Max)	Return Loss (dB Min)			
	With 8mA DC Bias			0.3-100MHz	0.3-30MHz	40MHz	50MHz
MHTA-1602S	350	1CT:1CT(TX)/1CT:1CT(RX)	-1.1	-18	-16	-14.5	-12

Electrical Specifications @25°C

Part Number	Common Mode Rejection (dB Min)			Cross Talk (dB Min)		Isolation HI-POT (Vrms) 60S
	0.3-30MHz	60MHz	80-100MHz	0.3-30MHz	60-100MHz	
MHTA-1602S	-40	-35	-30	-42	-35	1500

MECHANICAL



Dimensions: inch (mm)
Unless otherwise specified, all tolerances are ±0.010(0.25)

SCHEMATICS

