

# 10/100 BASE-T Single Port Transformer

- Cw/w: 50PF TYP @ 100KHz, 0.2V
- LL: 0.5uH Max @ 100KHz, 0.2V
- DCR: 0.9Ω Max
- Operating Temp: 0°C to +70°C

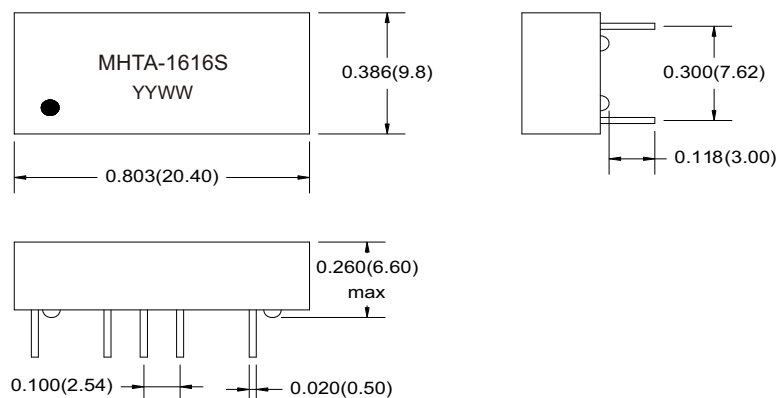
**Electrical Specifications @25°C**

Part Number	OCL(μH Min) @ 100kHz, 200mV With 8mA DC Bias	Turns Ratio chip: cable (±5%)	Insertion Loss (dB Max)	Return Loss (dB Min)			
			0.3-100MHz	0.3-30MHz	40MHz	50MHz	60-80MHz
MHTA-1616S	350	1CT:1CT(TX)/1CT:1CT(RX)	-1.1	-18	-16	-14.5	-12

**Electrical Specifications @25°C**

Part Number	Common Mode Rejection (dB Min)			Cross Talk (dB Min)		Isolation HI-POT (Vrms)
	0.3-30MHz	60MHz	80-100MHz	0.3-30MHz	60-100MHz	
MHTA-1616S	-40	-35	-30	-42	-35	1500

**MECHANICAL**



Dimensions: inch (mm)  
Unless otherwise specified, all tolerances are ±0.010(0.25)

**SCHEMATICS**

