

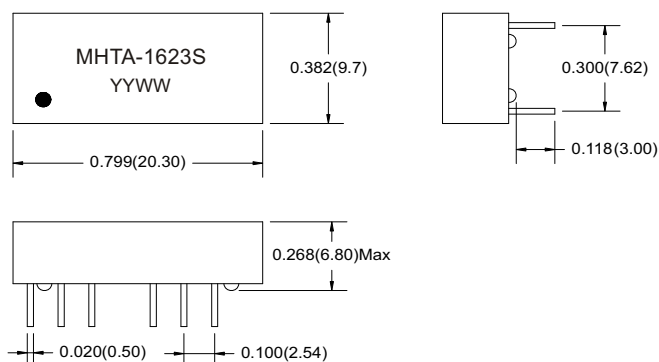
10/100 BASE-T Single Port Transformer

- Polarity: 1-7, 16-10, In-Phase
- LL: 0.5uH Max @ 100KHz, 0.2V
- DCR: 0.9Ω Max
- Operating Temp: 0°C to +70°C

Part Number	Electrical Specifications @25°C		Turns Ratio chip: cable (±5%)	Insertion Loss (dB Max)	Return Loss (dB Min)				
	OCL(uH Min) @ 100kHz, 200mV	With 8mA DC Bias			0.3-100MHz	0.3-30MHz	40MHz	50MHz	60-80MHz
MHTA-1623S	350		1CT:1CT(TX)/1CT:1CT(RX)	-1.1	-18	-16	-14.5	-12	

Part Number	Electrical Specifications @25°C			Cross Talk (dB Min)		Isolation HI-POT (Vrms)
	Common Mode Rejection (dB Min)			0.3-30MHz	60-100MHz	
	0.3-30MHz	60MHz	80-100MHz			
MHTA-1623S	-40	-35	-30	-42	-35	1500

MECHANICAL



Dimensions: inch (mm)
Unless otherwise specified, all tolerances are ±0.010(0.25)

SCHEMATICS

