



Features

- Very high current capacity
- Epoxy coated ferrite bobbin core
- Fixed lead spacing

Applications

- Electronic appliance
- Power supplies
- TRIAC/SCR Control Circuits

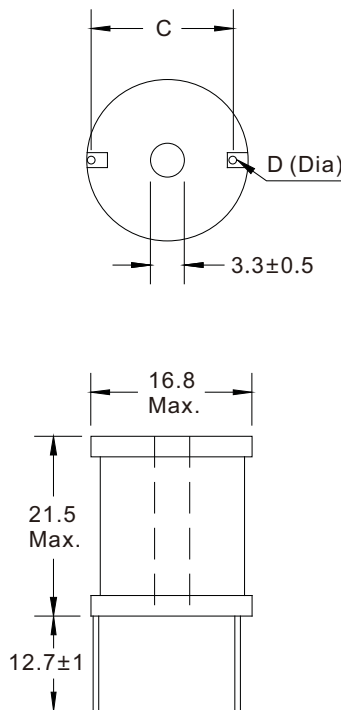
General Specifications

- Storage temp range: -55°C to +105°C
- Operating temp range: -40°C to +105°C
- Moisture Sensitivity Level(MSL): 1



Dimensions and Electrical Characteristics

Unit: [mm]



- Inductance tested at 1kHz, 0.25V
- Rated current: cause 50°C temp rise and 10% max inductance drop
- Hi-pot: 2500Vrms terminal to tube
1000Vrms terminal to core

Part Number	Inductance [uH]	DCR (max) [Ω]	Rated Current [A]	Dim. C Approx.	Dim. D Nom.
MIRD01-1R0M	1.0 ±20%	0.003	9	14.0	1.30
MIRD01-1R2M	1.2 ±20%	0.003	9	14.0	1.30
MIRD01-1R5M	1.5 ±20%	0.004	9	14.0	1.30
MIRD01-1R8M	1.8 ±20%	0.004	9	14.0	1.30
MIRD01-2R2M	2.2 ±20%	0.005	9	14.0	1.30
MIRD01-2R7M	2.7 ±20%	0.005	9	14.0	1.30
MIRD01-3R3M	3.3 ±20%	0.005	9	14.0	1.30
MIRD01-3R9M	3.9 ±20%	0.006	9	14.0	1.30
MIRD01-4R7M	4.7 ±20%	0.007	9	14.0	1.30
MIRD01-5R6M	5.6 ±20%	0.007	9	14.0	1.30
MIRD01-6R8M	6.8 ±20%	0.008	9	14.0	1.30
MIRD01-8R2M	8.2 ±20%	0.009	9	14.0	1.30
MIRD01-100K	10 ±10 %	0.010	9	14.0	1.30
MIRD01-120K	12 ±10 %	0.011	9	14.0	1.30
MIRD01-150K	15 ±10 %	0.015	7.2	13.5	1.10
MIRD01-180K	18 ±10 %	0.016	7.2	13.5	1.10
MIRD01-220K	22 ±10 %	0.020	5.5	13.5	1.10
MIRD01-270K	27 ±10 %	0.030	4.5	13.5	1.00
MIRD01-330K	33 ±10 %	0.040	4.0	13.5	1.00
MIRD01-390K	39 ±10 %	0.046	4.0	13.5	1.00
MIRD01-470K	47 ±10 %	0.062	2.8	13.5	0.90
MIRD01-560K	56 ±10 %	0.069	2.8	13.5	0.90
MIRD01-680K	68 ±10 %	0.077	2.8	12.7	0.80
MIRD01-820K	82 ±10 %	0.083	2.8	12.7	0.80
MIRD01-101K	100 ±10 %	0.095	2.8	12.7	0.80
MIRD01-121K	120 ±10 %	0.127	2.0	12.7	0.75
MIRD01-151K	150 ±10 %	0.181	1.6	12.7	0.75
MIRD01-181K	180 ±10 %	0.217	1.6	12.7	0.63
MIRD01-221K	220 ±10 %	0.240	1.6	12.7	0.63
MIRD01-271K	270 ±10 %	0.300	1.6	11.9	0.50
MIRD01-331K	330 ±10 %	0.336	1.3	11.9	0.50
MIRD01-391K	390 ±10 %	0.460	1.0	11.9	0.50
MIRD01-471K	470 ±10 %	0.636	0.8	11.9	0.50
MIRD01-561K	560 ±10 %	0.696	0.8	11.9	0.50