



## Features

- Very high current capacity
- Epoxy coated ferrite bobbin core
- Fixed lead spacing

## Applications

- Electronic appliance
- Power supplies
- TRIAC/SCR Control Circuits

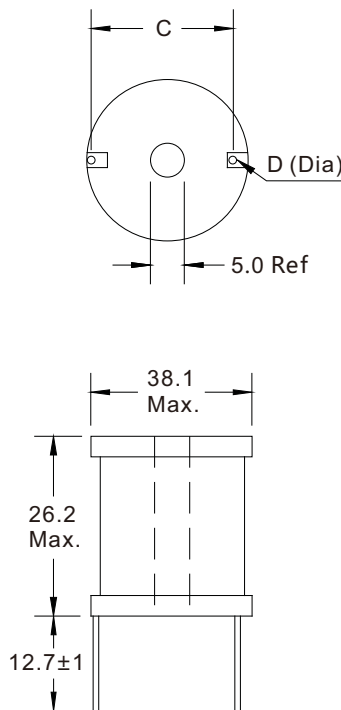
## General Specifications

- Storage temp range: -55°C to +105°C
- Operating temp range: -40°C to +105°C
- Moisture Sensitivity Level(MSL): 1



## Dimensions and Electrical Characteristics

Unit: [mm]



- Inductance tested at 1kHz, 0.25V
- Rated current: cause 50°C temp rise and 10% max inductance drop
- Hi-pot: 2500Vrms terminal to tube 1000Vrms terminal to core

Part Number	Inductance [uH]	DCR (max) [Ω]	Rated Current [A]	Dim. C Approx.	Dim. D Nom.
MIRD04-1R8M	1.8 ±20%	0.002	34.5	28.19	2.00
MIRD04-2R2M	2.2 ±20%	0.002	34.5	28.19	2.00
MIRD04-2R7M	2.7 ±20%	0.003	28.1	28.19	2.00
MIRD04-3R3M	3.3 ±20%	0.003	28.1	28.19	2.00
MIRD04-3R9M	3.9 ±20%	0.003	28.1	28.19	2.00
MIRD04-4R7M	4.7 ±20%	0.003	28.1	28.19	2.00
MIRD04-5R6M	5.6 ±20%	0.004	24.4	28.19	2.00
MIRD04-6R8M	6.8 ±20%	0.004	24.4	29.21	2.00
MIRD04-8R2M	8.2 ±20%	0.004	24.4	29.21	2.00
MIRD04-100K	10 ±10%	0.005	21.8	29.21	2.00
MIRD04-120K	12 ±10%	0.005	21.8	29.21	2.00
MIRD04-150K	15 ±10%	0.006	19.9	29.21	2.00
MIRD04-180K	18 ±10%	0.008	17.2	29.21	2.00
MIRD04-220K	22 ±10%	0.009	16.2	29.21	2.00
MIRD04-270K	27 ±10%	0.010	16.0	29.21	2.00
MIRD04-330K	33 ±10%	0.011	15.8	29.21	1.80
MIRD04-390K	39 ±10%	0.012	15.1	29.21	1.80
MIRD04-470K	47 ±10%	0.018	12.3	29.21	1.80
MIRD04-560K	56 ±10%	0.019	12.0	29.21	1.60
MIRD04-680K	68 ±10%	0.021	11.4	29.21	1.60
MIRD04-820K	82 ±10%	0.023	10.9	29.21	1.40
MIRD04-101K	100 ±10%	0.025	10.5	29.21	1.40
MIRD04-121K	120 ±10%	0.028	9.9	29.21	1.40
MIRD04-151K	150 ±10%	0.040	8.3	29.21	1.40
MIRD04-181K	180 ±10%	0.045	7.8	29.21	1.40
MIRD04-221K	220 ±10%	0.050	7.4	29.21	1.40
MIRD04-271K	270 ±10%	0.056	7.0	29.21	1.40
MIRD04-331K	330 ±10%	0.074	6.1	29.21	1.40
MIRD04-391K	390 ±10%	0.082	5.8	29.21	1.10
MIRD04-471K	470 ±10%	0.114	4.9	29.21	1.10
MIRD04-561K	560 ±10%	0.125	4.7	29.21	1.00
MIRD04-681K	680 ±10%	0.139	4.4	29.21	1.00
MIRD04-821K	820 ±10%	0.154	4.2	29.21	1.00
MIRD04-102K	1000 ±10%	0.216	3.6	29.21	1.00
MIRD04-122K	1200 ±10%	0.232	3.4	28.96	0.90
MIRD04-152K	1500 ±10%	0.324	2.9	28.96	0.90
MIRD04-182K	1800 ±10%	0.360	2.8	28.96	0.90
MIRD04-222K	2200 ±10%	0.494	2.4	27.94	0.80
MIRD04-272K	2700 ±10%	0.555	2.2	28.45	0.80
MIRD04-332K	3300 ±10%	0.773	1.9	27.94	0.75
MIRD04-392K	3900 ±10%	0.845	1.8	27.94	0.75
MIRD04-472K	4700 ±10%	1.14	1.6	28.45	0.75
MIRD04-562K	5600 ±10%	1.60	1.3	27.69	0.65
MIRD04-682K	6800 ±10%	1.76	1.2	28.45	0.65
MIRD04-822K	8200 ±10%	1.95	1.2	27.69	0.57
MIRD04-103K	10000 ±10%	2.76	1.0	28.19	0.57
MIRD04-123K	12000 ±10%	3.04	0.9	27.43	0.50
MIRD04-153K	15000 ±10%	3.39	0.9	27.94	0.50