



Features

- Low cost.
- 9 standard sizes
- Split core design, safer, easier installation, and portable.

Applications

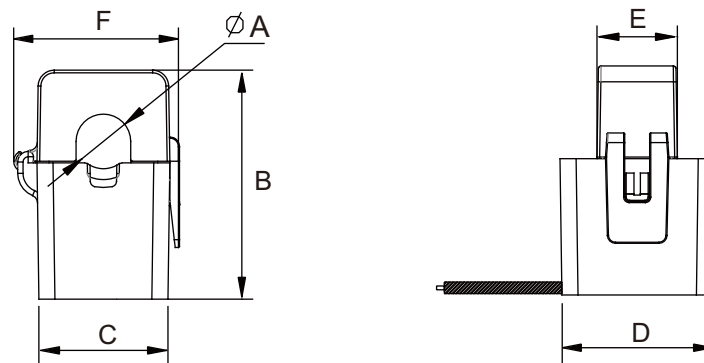
- Electrical lines and equipment of current measurement, control and protection

General Specifications

- Operating temp range: -40°C to +125°C
- Storage temp range: -40°C to +125°C

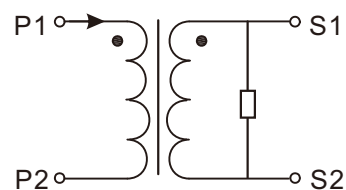
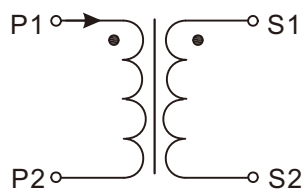


► Dimensions & Configurations (Unit:mm)



Type	A	B	C	D	E	F
MCTSC06	6	25	16	18	11	18
MCTSC10	10	40	23	26	16	30
MCTSC16	16	46	29.5	32	19	38
MCTSC20	20	56	36	36	24	45
MCTSC24	24	68	45	36	29	56
MCTSC36	36	85	57	42	37	68
MCTSC50	50	108	78	48	48	88
MCTSC50B	50	103	73	60	46	85
MCTSC64	64	134	95	60	58	106

► Schematic



► Electrical Characteristics For MCTSC Series

Type	Ratio	Rated Primary Current	Max Continuous current	Rated Secondary Current	Rated Secondary Voltage	Accuracy class
MCTSC06	1000:1 1500:1 2000:1 2500:1 3000:1	0~25A	30A	0~25mA	0~0.1V	1.0
MCTSC10		0~63A	75A	0~50mA	0~0.333V	1.0
MCTSC16		0~125A	150A	0~100mA	0~0.5V	0.5/1.0
MCTSC20		0~200A	240A	0~100mA	0~0.5V	0.5/1.0
MCTSC24		0~300A	360A	0~100mA	0~1V	0.5S/0.5
MCTSC36		0~630A	750A	0~100mA	0~1V	0.5S/0.5
MCTSC50		0~1000A	1200A	0~100mA	0~1V	0.2/0.5S
MCTSC50B		0~1000A	1200A	0~100mA	0~1V	0.2/0.5S
MCTSC64		0~2000A	2400A	0~100mA	0~1V	0.2/0.5S

- Rated Frequency: 50Hz~60Hz
- Electrical Strength: 4000V/1mA/1min
- Insulation Resistance: DC500V/1000MΩ/Min