

### Features

- Magnetic shielding structure, excellent resistance to electro magnetic interference
- Assemblage design, sturdy structure.
- High Current, Low resistance

### Applications

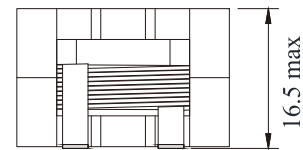
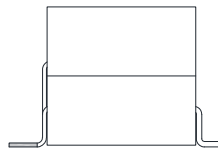
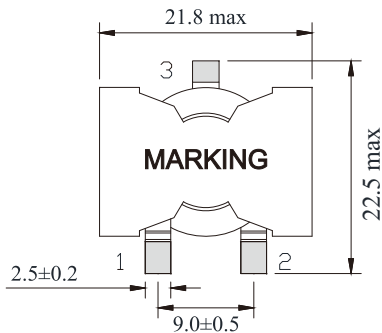
- Storage inductor for high efficiency DC/DC converters with high ripple currents
- Resonant SMPS
- Filter for audio applications

### General Specifications

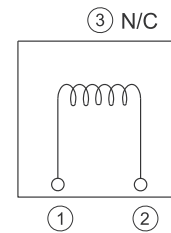
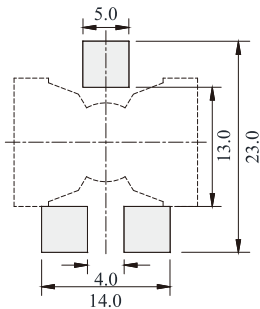
- Storage temp range: -40°C to +125°C
- Operating temp range: -40°C to +125°C



## ▶ Shape and Dimensions (Unit:mm)



## ▶ Recommended Layout



Schematic

## ▶ Electrical Characteristics For SPQ2016 Series @ 25°C

Part Number	Inductance (μH) @100KHz, 0.1V	DCR (mΩ) Typ.	DCR (mΩ) Max.	Isat (A) Typ. L 20% drop	Irms (A) Typ. 40°C rise
SPQ2016-4R7M	4.7 ±20%	3.30	4.00	42.0	21.0
SPQ2016-6R8M	6.8 ±20%	3.57	4.30	30.0	20.0
SPQ2016-8R2M	8.2 ±20%	3.57	4.30	25.0	20.0
SPQ2016-100M	10 ±20%	5.28	6.30	24.0	16.0
SPQ2016-220M	22 ±20%	5.28	6.30	10.0	16.0
SPQ2016-330M	33 ±20%	13.0	15.0	9.00	12.0
SPQ2016-470M	47 ±20%	13.0	15.0	6.50	12.0