



Features

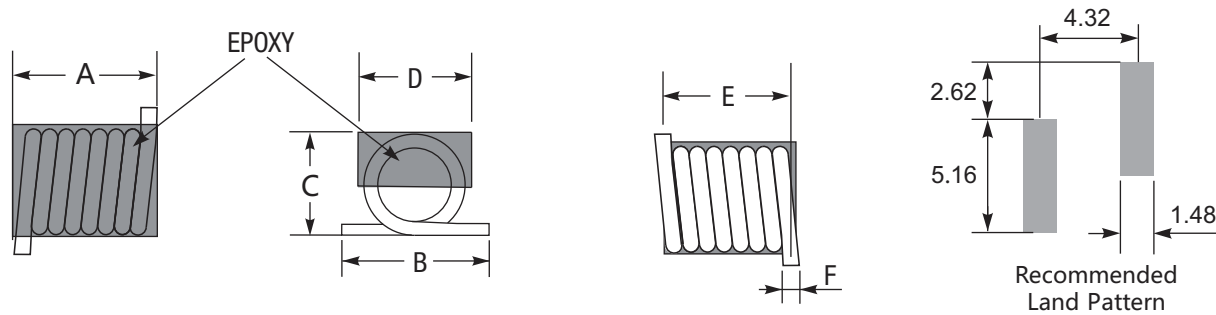
- High Q and current handling
- Acrylic top provides a flat surface for pick and place
- Tinned leads assure reliable soldering.

General Specifications

- Storage temp range: -40°C to +125°C
- Operating temp range: -40°C to +125°C
- Moisture Sensitivity Level(MSL): 1



► Shape and Dimensions (Unit:mm)



A	B	C	D	E	F
4.95 max	6.35 max	4.2 max	3.56±0.25	4.32±0.38	0.76 max

► Electrical Characteristics For M1812SMS Series

Part Number	Inductance [nH]	Test Freq [MHz]	Q (min)	SRF(min) [GHz]	DCR(max) [mΩ]	Irms(max) [A]
M1812SMS-22NJ	22±5%	150	100	3.2	4.2	3.0
M1812SMS-27NJ	27±5%	150	100	2.7	4.0	3.5
M1812SMS-33NJ	33±5%	150	100	2.5	4.8	3.0
M1812SMS-39NJ	39±5%	150	100	2.1	4.4	3.0
M1812SMS-47NJ	47±5%	150	100	2.1	5.6	3.0
M1812SMS-56NJ	56±5%	150	100	1.5	6.2	3.0
M1812SMS-68NJ	68±5%	150	100	1.5	8.2	2.5
M1812SMS-82NJ	82±5%	150	100	1.3	9.4	2.5
M1812SMS-R10J	100±5%	150	100	1.2	12.3	1.7
M1812SMS-R12J	120±5%	150	100	1.1	17.3	1.5
M1812SMS-R15J	150±5%	150	100	0.8	13.0	1.2

- Inductance measured at 150 MHz
- I_{rms}: Current that causes a 15°C temperature rise from 25°C ambient.
This information is for reference only and does not represent absolute maximum ratings.
- Resistance to soldering heat: Max three 40s reflows at 260°C, parts cooled to room temperature between cycles.