

Features

- Closed rectangular ferrite core
- Flammability corresponding to UL94V-0
- Custom designs are available

Applications

- Mains filter
- Switched mode power supplies
- White goods

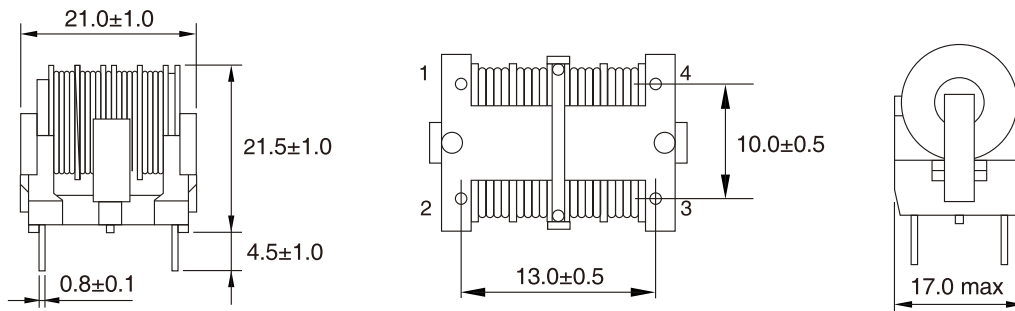
General Specifications

- Storage temp range: -40°C to +125°C
- Operating temp range: -40°C to +125°C
- Moisture Sensitivity Level(MSL): 1



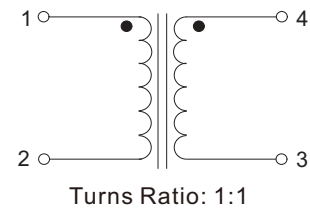
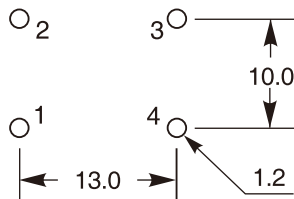
▶ Shape and Dimensions (Unit:mm)

VARNISH



▶ Suggested PCB Layout

▶ Schematic



▶ Electrical Specifications @ 25°C

Part Number	Inductance [mH] 1-2/4-3 (min)	Inductance Balance (max) [μ H]	DCR (max) [Ω]	Rated Current [A]
UT20-222	2.2	150	0.24	1.3
UT20-392	3.9	150	0.41	1.0
UT20-103	10	550	1.00	0.6
UT20-183	18	600	1.63	0.5
UT20-223	22	800	2.04	0.4
UT20-333	33	800	3.42	0.3

- Inductance tested at 1kHz
- Hi-pot: AC2000V/5mA/2S (N1-N2)
- Rated Current: The current at which the temperature rise is 45°C