

Features

- Low cost, high performance
- Custom designs are available
- Flammability corresponding to UL94V-0

Applications

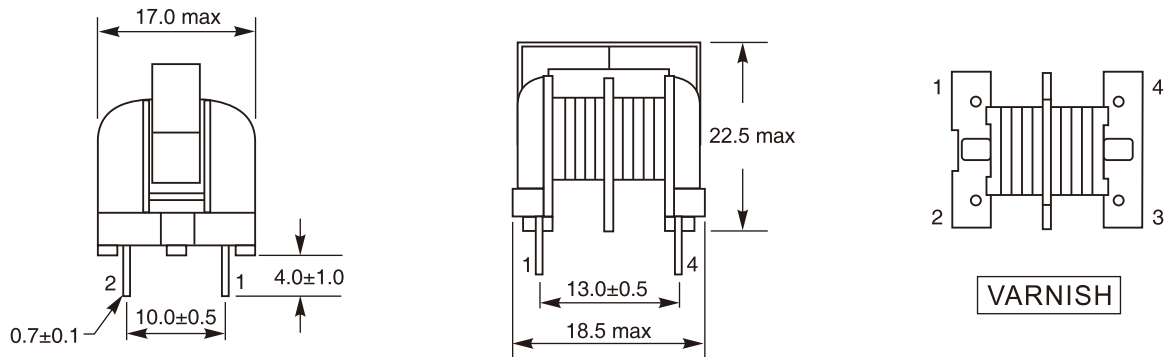
- Mains filter, Lighting
- Compact switched-mode power supplies
- Electronic ballast applications (LED bulb)

General Specifications

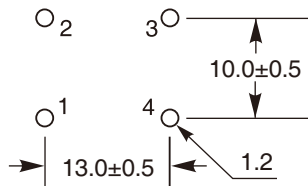
- Storage temp range: -40°C to +125°C
- Operating temp range: -40°C to +125°C



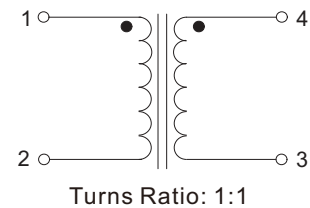
Shape and Dimensions (Unit:mm)



Suggested PCB Layout



Schematic



Electrical Specifications @ 25°C

| Part Number | Inductance [mH] 1-2/4-3 (min) | DCR [Ω] (max) | Rated Current [A] | Rated Voltage [Vac] | Insulation Resistance [M Ω] (min) |
|-------------|----------------------------------|---------------------------|-------------------|---------------------|---|
| UU10-601 | 0.6 | 0.20 | 2.00 | 300 | 100 |
| UU10-102 | 1.0 | 0.20 | 1.50 | 300 | 100 |
| UU10-332 | 3.3 | 0.71 | 0.65 | 300 | 100 |
| UU10-682 | 6.8 | 1.26 | 0.43 | 300 | 100 |
| UU10-123 | 12 | 2.20 | 0.34 | 300 | 100 |
| UU10-223 | 22 | 3.64 | 0.25 | 300 | 100 |
| UU10-333 | 33 | 5.74 | 0.20 | 300 | 100 |
| UU10-513 | 51 | 9.12 | 0.15 | 300 | 100 |

- Inductance tested at 1kHz
- Hi-pot: AC1500V/5mA/2S (N1-N2)
- Rated Current: The DC current at which the temperature rise is 40°C