



### Features

- 2.5mmx2.0mmx1.0mm Shielded
- High Saturation current
- Magnetically shielded structure
- Rated voltage: 20V DC (max.)

### General Specifications

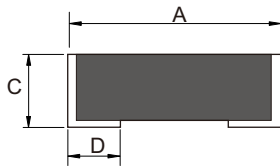
- Storage temp range: -50°C to +125°C
- Operating temp range: -40°C to +125°C

### Application

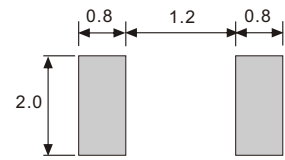
- PDA, notebook, desktop, and server applications.
- Low profile, high current power supplies
- Battery powered devices
- DC/DC converters in distributed power systems



## ► Dimensions & Configurations (Unit:mm)



Recommended Layout



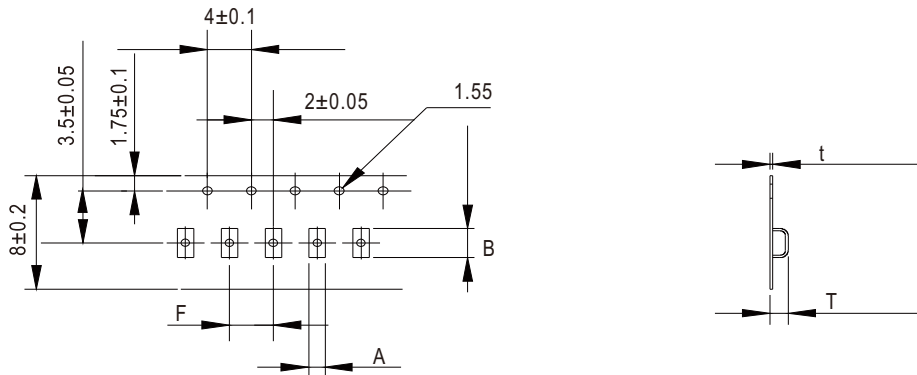
Type	A	B	C	D
HI252010P	2.5±0.25	2.0±0.2	1.0Max	0.6±0.2

## ► Electrical Characteristics For HI252012P Series

Part Number	Inductance L0 [uH] (±20%) @0A	DCR [mΩ]		Heat Rating Current (I <sub>rms</sub> ) [A]		Saturation Current (I <sub>sat</sub> ) [A]	
		(Typ.)	(Max.)	(Typ.)	(Max.)	(Typ.)	(Max.)
HI252010P-R33M	0.33	21	26	4.40	4.00	6.60	6.00
HI252010P-R47M	0.47	17	21	3.90	3.51	5.00	4.50
HI252010P-R68M	0.68	37	44	3.30	2.97	4.30	3.87
HI252010P-1R0M	1.0	45	54	2.80	2.52	3.50	3.15
HI252010P-1R5M	1.5	76	91	2.50	2.25	2.60	2.34
HI252010P-2R2M	2.2	99	119	2.30	2.30	2.40	2.16
HI252010P-4R7M	4.7	220	262	1.36	1.36	1.80	1.62

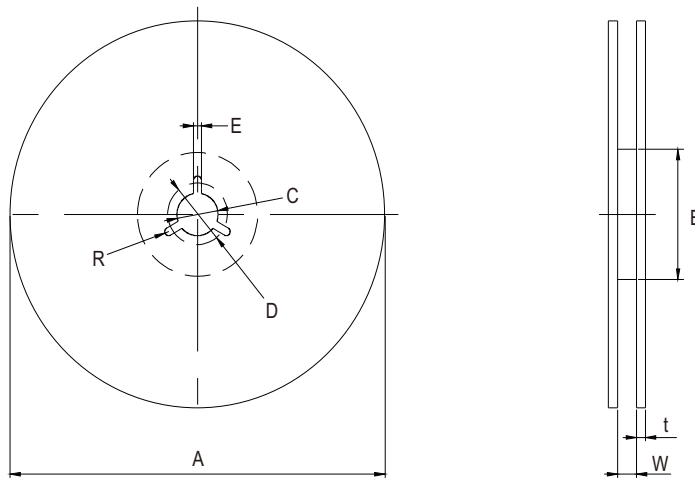
- Inductance tested at 1MHz, 1.0Vrms, 0.0Adc
- Heat Rating Current (I<sub>rms</sub>): Current that cause the temperature 40°C rise from 25°C
- Saturation Current (I<sub>sat</sub>): DC current at which the inductance drops 30% from its value without current

## ▶ Tape & Reel Specifications:



Unit: mm

Type	Dimension	A	B	F	T	t
	Tolerance	±0.1	±0.1	±0.1	±0.05	±0.05
HI252010P		2.25	2.80	4.00	1.15	0.22



Unit: mm

Type	Dimension	QTY Per Reel	A	B	C	D	E	W	t
	Tolerance	Pcs	±2	±2	±0.8	±0.8	±0.5	±1.5	±0.5
HI252010P		3000	178	60	13	21.0	2	10	2