



Features

- 2.5mmx2.0mmx1.2mm Shielded
- High Saturation current
- Magnetically shielded structure
- Rated voltage: 20V DC (max.)

General Specifications

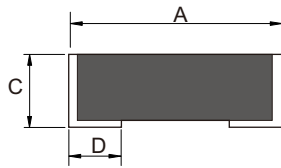
- Storage temp range: -40°C to +125°C
- Operating temp range: -40°C to +125°C

Application

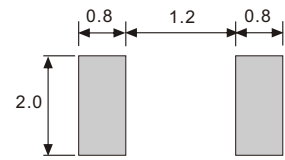
- PDA, notebook, desktop, and server applications.
- Low profile, high current power supplies
- Battery powered devices
- DC/DC converters in distributed power systems



► Dimensions & Configurations (Unit:mm)



Recommended Layout



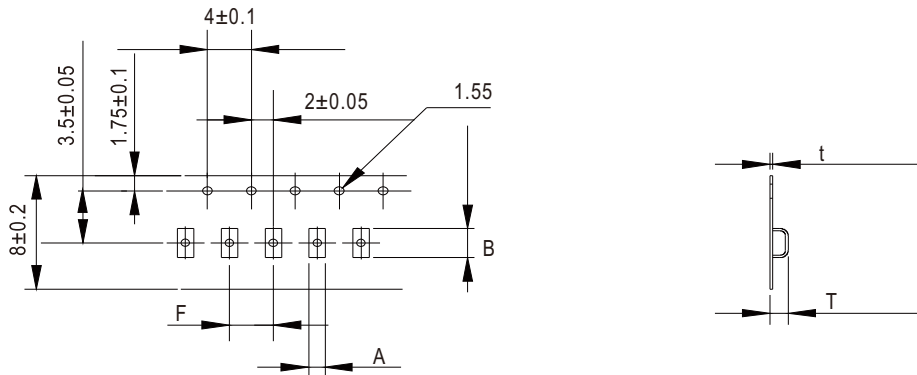
Type	A	B	C	D
HI252012P	2.5±0.25	2.0±0.25	1.2Max	0.6±0.3

► Electrical Characteristics For HI252012P Series

Part Number	Inductance L0 [uH] (±20%) @0A	DCR [mΩ]		Heat Rating Current (I _{rms}) [A]		Saturation Current (I _{sat}) [A]	
		(Typ.)	(Max.)	(Typ.)	(Max.)	(Typ.)	(Max.)
HI252012P-R47M	0.47	21	25	4.60	4.18	5.30	4.95
HI252012P-R68M	0.68	29	35	3.70	3.36	5.00	4.63
HI252012P-1R0M	1.0	41	49	3.50	3.18	4.40	4.04
HI252012P-1R5M	1.5	64	77	2.50	2.27	3.20	2.91
HI252012P-2R2M	2.2	85	98	2.27	2.06	3.00	2.73
HI252012P-3R3M	3.3	125	150	2.00	1.80	2.10	1.80
HI252012P-4R7M	4.7	196	235	1.90	1.58	1.61	1.40

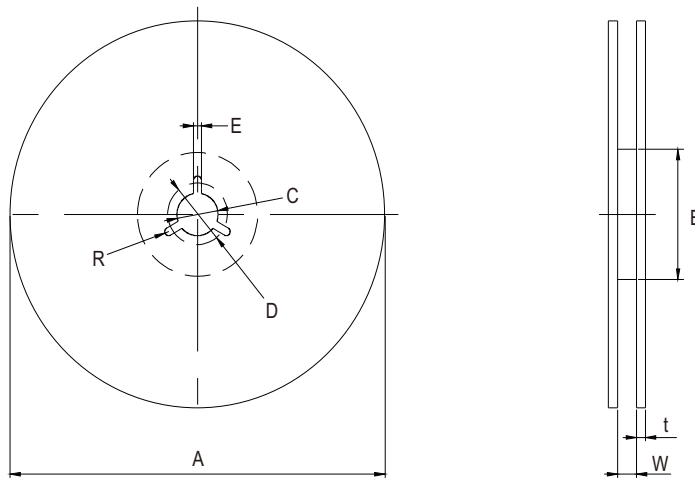
- Inductance tested at 1MHz, 1.0Vrms, 0.0Adc
- Heat Rating Current (I_{rms}): Current that cause the temperature 40°C rise from 25°C
- Saturation Current (I_{sat}): DC current at which the inductance drops 30% from its value without current

▶ Tape & Reel Specifications:



Unit: mm

Type	Dimension	A	B	F	T	t
	Tolerance	±0.1	±0.1	±0.1	±0.05	±0.05
HI252012P		2.25	2.80	4.00	1.35	0.22



Unit: mm

Type	Dimension	QTY Per Reel	A	B	C	D	E	W	t
	Tolerance	Pcs	±2	±2	±0.8	±0.8	±0.5	±1.5	±0.5
HI252012P		3000	178	60	13	21.0	2	10	2