



Features

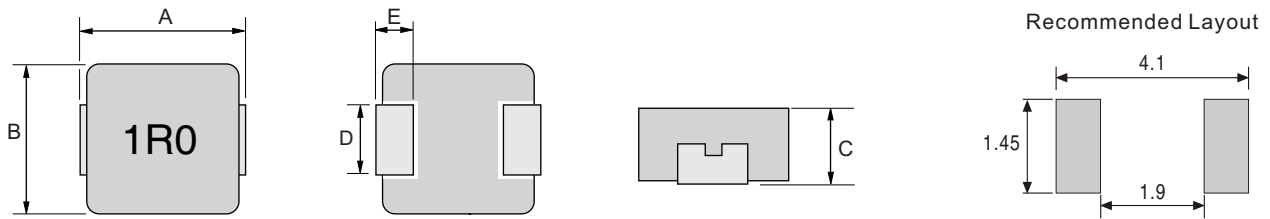
- Shielded Construction
- Core Material: **Carbonyl powder**
- High Current, low DCR, high efficiency
- RoHS, Halogen Free and REACH compliance

General Specifications

- Storage temp range: -55°C to +125°C
- Operating temp range: -55°C to +125°C
- Moisture Sensitivity Level(MSL): 1



▶ Shape and Dimensions (Unit:mm)



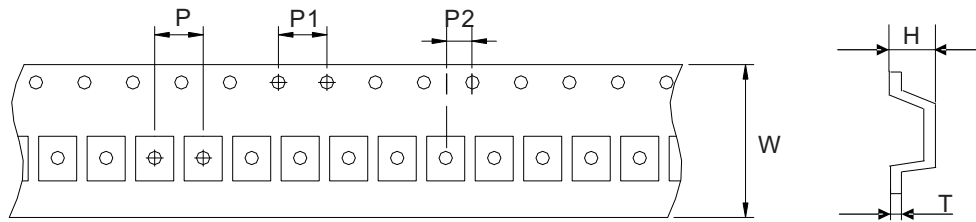
Type	A	B	C	D	E
HIP0320	3.4±0.3	3.2±0.3	1.8±0.2	1.2±0.2	0.7±0.2

▶ Electrical Characteristics For HIP0320 Series @ 25°C

Part Number	Inductance (μH) ±20%	DCR (mΩ) Max.	Isat (A) Typ.	Irms (A) Typ.
HIP0320-R33M	0.33	21	10	8
HIP0320-R47M	0.47	23	9	7
HIP0320-R68M	0.68	29	7	5.5
HIP0320-1R0M	1.0	38	5	4
HIP0320-1R5M	1.5	50	4	3.8
HIP0320-2R2M	2.2	75	3.7	3.5
HIP0320-3R3M	3.3	145	3.5	3
HIP0320-4R7M	4.7	200	3	2.6
HIP0320-5R6M	5.6	238	2.6	2.2
HIP0320-6R8M	6.8	300	2.2	1.9
HIP0320-8R2M	8.2	390	1.9	1.6
HIP0320-100M	10	422	1.6	1.4

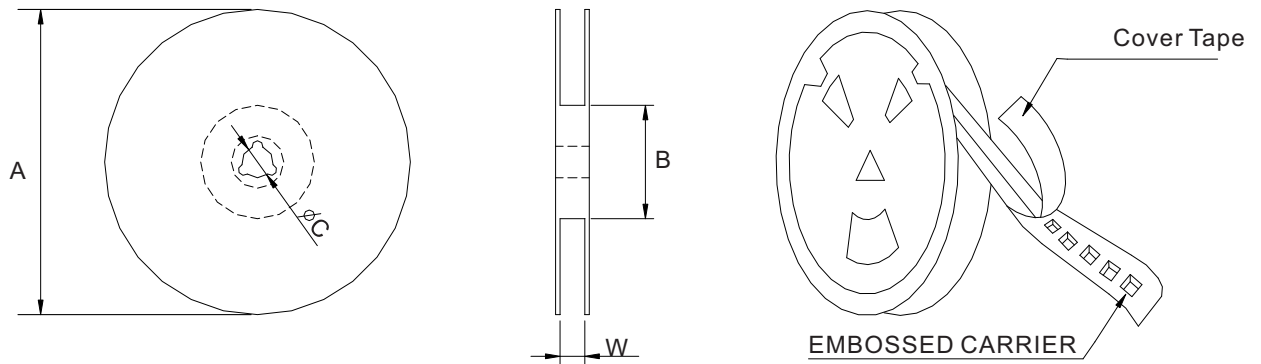
- Inductance tested at 100kHz, 1.0Vrms, 0.0Adc
- Heat Rating Current (Irms): Current that cause the temperature 40°C rise from 25°C
- Saturation Current (Isat): DC current at which the inductance drops 30% from its value without current

▶ Tape & Reel Specifications:



Unit: mm

Type	Dimension	W	P	P1	P2	H	T
	Tolerance	±0.3	±0.1	±0.1	±0.1	±0.15	±0.05
HIP0320		12.0	8.0	4.0	2.0	2.40	0.35



Unit: mm

Type	Dimension	QTY Per Reel	A	B	C	W
	Tolerance	PCS	±2.0	±0.5	±0.5	±0.5
HIP0320		3000	330	97	13	12.8



Features

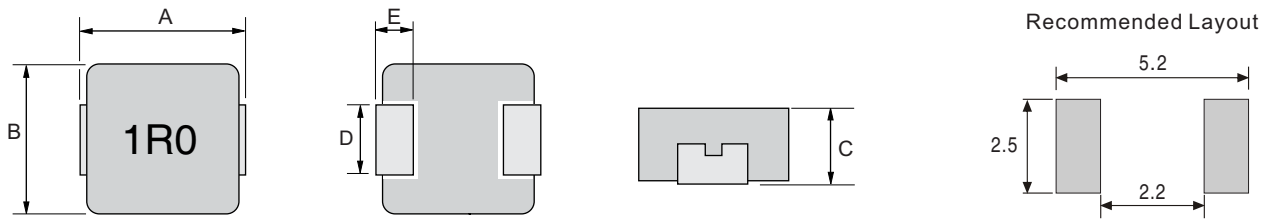
- Shielded Construction
- Core Material: **Carbonyl powder**
- High Current, low DCR, high efficiency
- RoHS, Halogen Free and REACH compliance

General Specifications

- Storage temp range: -55°C to +125°C
- Operating temp range: -55°C to +125°C
- Moisture Sensitivity Level(MSL): 1



▶ Shape and Dimensions (Unit:mm)



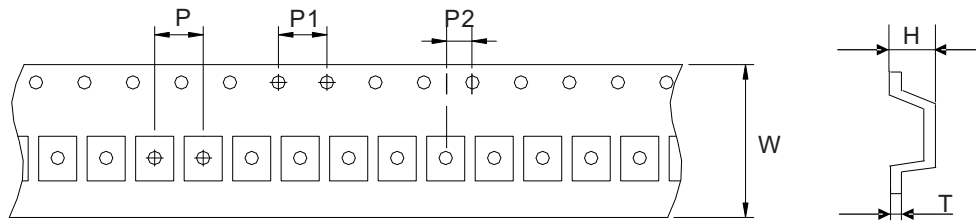
Type	A	B	C	D	E
HIP0420	4.4±0.35	4.2±0.25	1.8±0.2	2.0±0.3	0.8±0.3

▶ Electrical Characteristics For HIP0420 Series @ 25°C

Part Number	Inductance (μH) ±20%	DCR (mΩ) Max.	Isat (A) Typ.	Irms (A) Typ.
HIP0420-R33M	0.33	8.6	18	10
HIP0420-R47M	0.47	14	12	8
HIP0420-R68M	0.68	19	10	7
HIP0420-1R0M	1.0	27	8.5	5
HIP0420-1R5M	1.5	42	7	4.5
HIP0420-2R2M	2.2	61	6	4
HIP0420-3R3M	3.3	76	4	3.5
HIP0420-4R7M	4.7	105	3.5	2.6
HIP0420-6R8M	6.8	172	2.8	2.1
HIP0420-100M	10	243	2.3	1.8

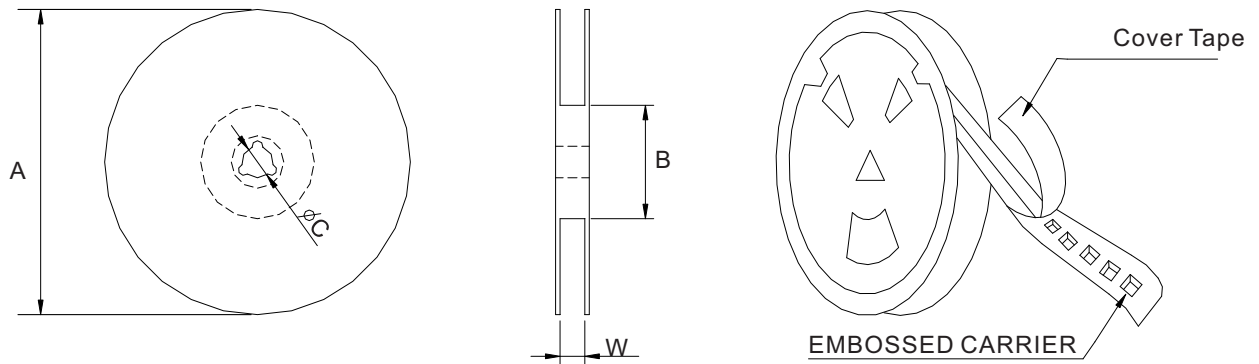
- Inductance tested at 100kHz, 1.0Vrms, 0.0Adc
- Heat Rating Current (Irms): Current that cause the temperature 40°C rise from 25°C
- Saturation Current (Isat): DC current at which the inductance drops 30% from its value without current

Tape & Reel Specifications:



Unit: mm

Type	Dimension	W	P	P1	P2	H	T
	Tolerance	±0.3	±0.1	±0.1	±0.1	±0.15	±0.05
HIP0420		12.0	8.0	4.0	2.0	2.30	0.35



Unit: mm

Type	Dimension	QTY Per Reel	A	B	C	W
	Tolerance	PCS	±2.0	±0.5	±0.5	±0.5
HIP0420		3000	330	97	13	12.8



Features

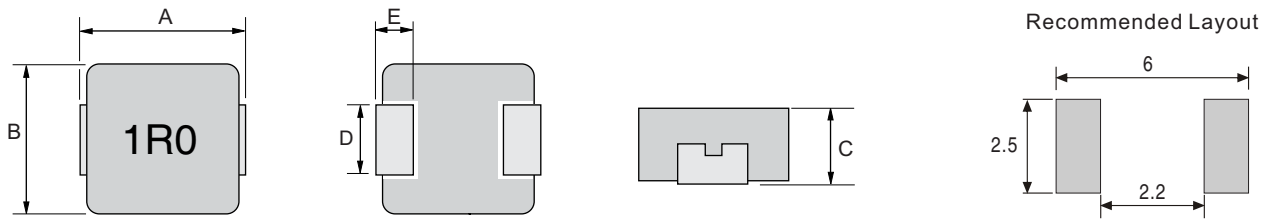
- Shielded Construction
- Core Material: **Carbonyl powder**
- High Current, low DCR, high efficiency
- RoHS, Halogen Free and REACH compliance

General Specifications

- Storage temp range: -55°C to +125°C
- Operating temp range: -55°C to +125°C
- Moisture Sensitivity Level(MSL): 1



► Shape and Dimensions (Unit:mm)



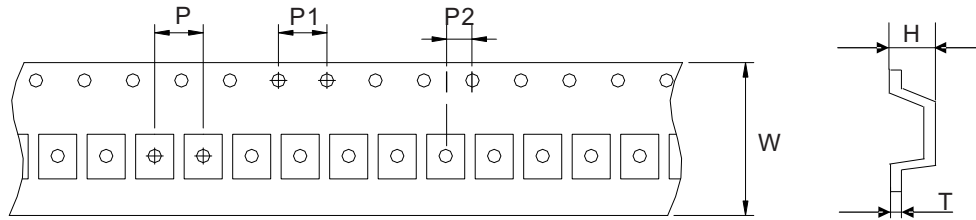
Type	A	B	C	D	E
HIP0520	5.7±0.3	5.2±0.2	1.8±0.2	2.0±0.3	1.2±0.2

► Electrical Characteristics For HIP0520 Series @ 25°C

Part Number	Inductance (μH) ±20%	DCR (mΩ) Max.	Isat (A) Typ.	Irms (A) Typ.
HIP0520-R22M	0.22	5.5	25	15
HIP0520-R33M	0.33	7.3	21.3	12
HIP0520-R47M	0.47	8.6	18	11.5
HIP0520-R68M	0.68	12.4	12.8	10
HIP0520-1R0M	1.0	20	13.7	7
HIP0520-1R5M	1.5	30.5	9.8	5.5
HIP0520-2R2M	2.2	50	9	4.2
HIP0520-3R3M	3.3	76	7.3	3.3
HIP0520-4R7M	4.7	116	5	2.8
HIP0520-6R8M	6.8	150	3.8	2.4
HIP0520-8R2M	8.2	171	3.5	2.3
HIP0520-100M	10	199	3.4	2.3
HIP0520-150M	15	270	2.8	1.9
HIP0520-220M	22	390	1.8	1.5

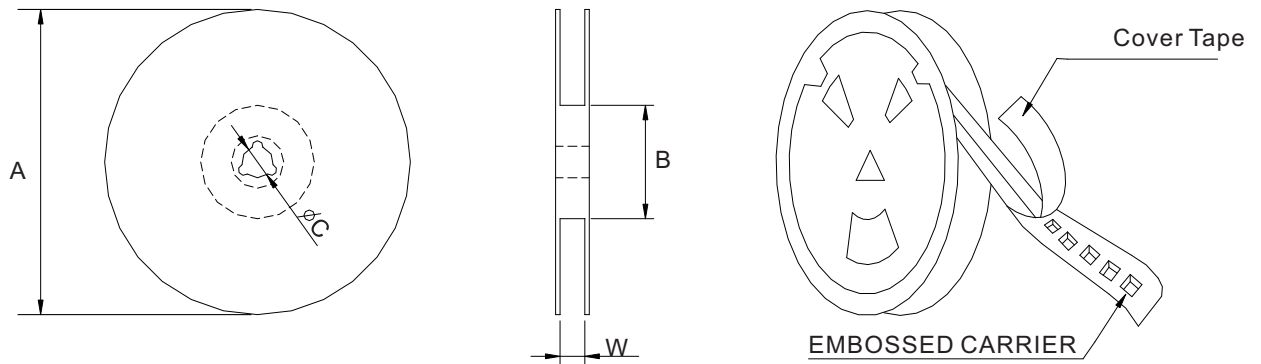
- Inductance tested at 100kHz, 1.0Vrms, 0.0Adc
- Heat Rating Current (Irms): Current that cause the temperature 40°C rise from 25°C
- Saturation Current (Isat): DC current at which the inductance drops 30% from its value without current

▶ Tape & Reel Specifications:



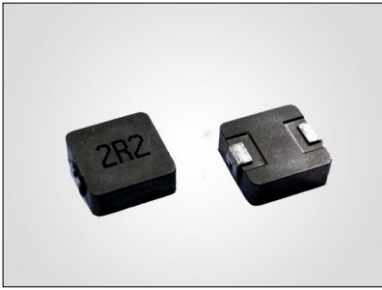
Unit: mm

Type	Dimension	W	P	P1	P2	H	T
	Tolerance	±0.3	±0.1	±0.1	±0.1	±0.15	±0.05
HIP0520		12.0	8.0	4.0	2.0	2.30	0.35



Unit: mm

Type	Dimension	QTY Per Reel	A	B	C	W
	Tolerance	Pcs	±2.0	±0.5	±0.5	±0.5
HIP0520		2000	330	97	13.2	12.8



Features

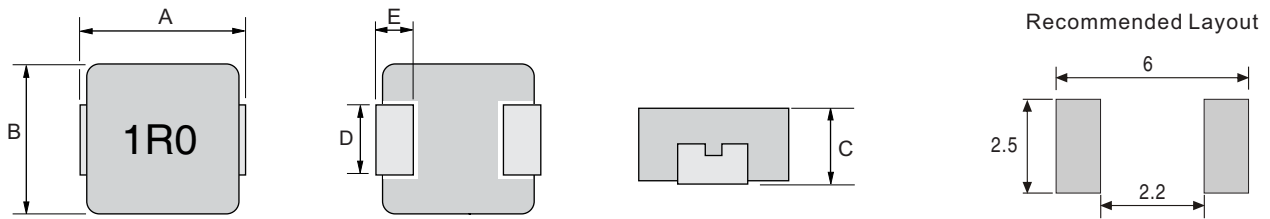
- Shielded Construction
- Core Material: **Carbonyl powder**
- High Current, low DCR, high efficiency
- RoHS, Halogen Free and REACH compliance

General Specifications

- Storage temp range: -55°C to +125°C
- Operating temp range: -55°C to +125°C
- Moisture Sensitivity Level(MSL): 1



▶ Shape and Dimensions (Unit:mm)



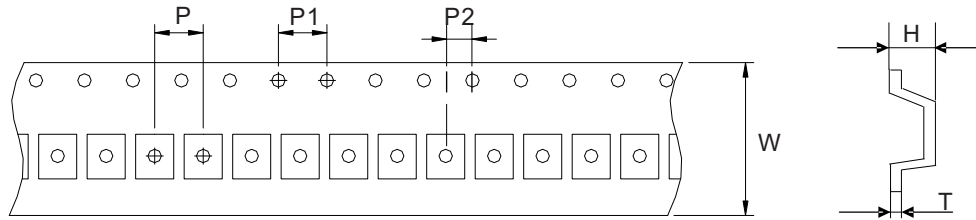
Type	A	B	C	D	E
HIP0530	5.7±0.3	5.2±0.2	2.8±0.2	2.0±0.3	1.2±0.2

▶ Electrical Characteristics For HIP0530 Series @ 25°C

Part Number	Inductance (μH) ±20%	DCR (mΩ) Max.	Isat (A) Typ.	Irms (A) Typ.
HIP0530-R22M	0.22	4.4	21	15.5
HIP0530-R33M	0.33	5	18	14
HIP0530-R47M	0.47	7.4	16	12
HIP0530-R68M	0.68	12	14	8.5
HIP0530-R82M	0.82	13	12.5	8
HIP0530-1R0M	1.0	14	11	7
HIP0530-1R5M	1.5	25	10	6
HIP0530-2R2M	2.2	35	9	5.5
HIP0530-3R3M	3.3	38	8	5
HIP0530-4R7M	4.7	53	6	4.6
HIP0530-5R6M	5.6	63	4.5	4.25
HIP0530-6R8M	6.8	76.2	4.3	4
HIP0530-100M	10	128	3.5	2.75
HIP0530-150M	15	190	2.6	2.1
HIP0530-220M	22	250	1.7	1.9

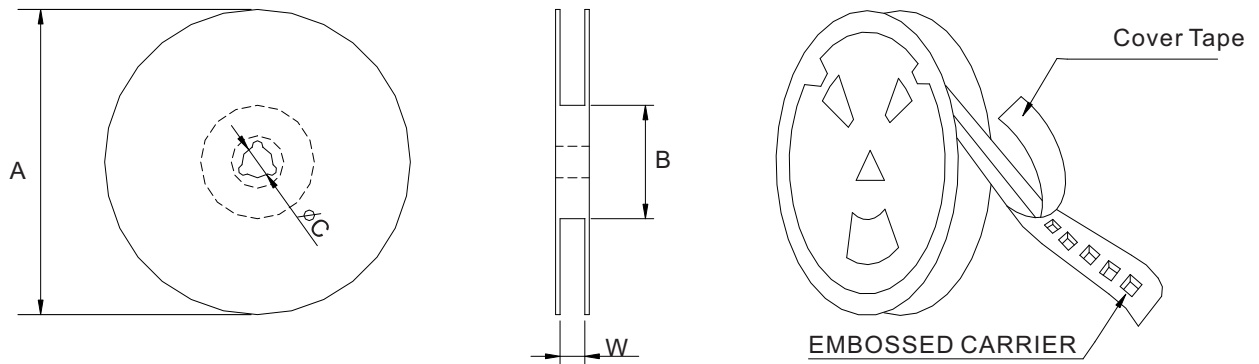
- Inductance tested at 100kHz, 1.0Vrms, 0.0Adc
- Heat Rating Current (Irms): Current that cause the temperature 40°C rise from 25°C
- Saturation Current (Isat): DC current at which the inductance drops 30% from its value without current

Tape & Reel Specifications:



Unit: mm

Type	Dimension	W	P	P1	P2	H	T
	Tolerance	±0.3	±0.1	±0.1	±0.1	±0.15	±0.05
HIP0530		12.0	8.0	4.0	2.0	3.30	0.35



Unit: mm

Type	Dimension	QTY Per Reel	A	B	C	W
	Tolerance	PCS	±2.0	±0.5	±0.5	±0.5
HIP0530		2000	330	97	13.2	12.8



Features

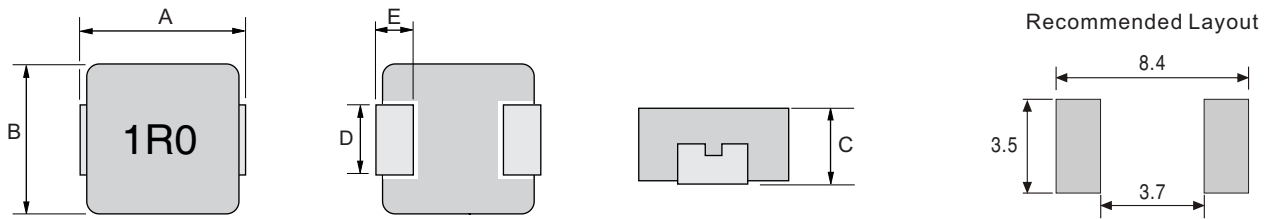
- Shielded Construction
- Core Material: **Carbonyl powder**
- High Current, low DCR, high efficiency
- RoHS, Halogen Free and REACH compliance

General Specifications

- Storage temp range: -55°C to +125°C
- Operating temp range: -55°C to +125°C
- Moisture Sensitivity Level(MSL): 1



▶ Shape and Dimensions (Unit:mm)



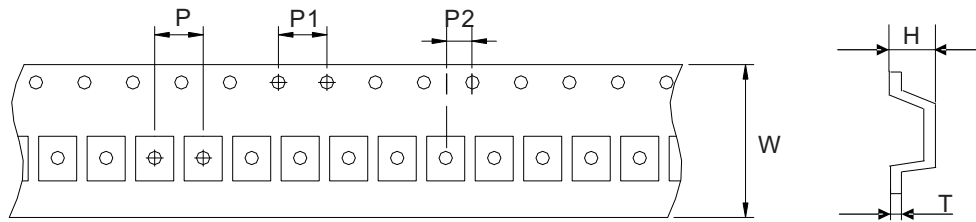
Type	A	B	C	D	E
HIP0618	7.3±0.3	6.6±0.3	1.6±0.2	3.0±0.3	1.6±0.3

▶ Electrical Characteristics For HIP0618 Series @ 25°C

Part Number	Inductance (μH) ±20%	DCR (mΩ) Max.	Isat (A) Typ.	Irms (A) Typ.
HIP0618-R22M	0.22	3	26	16
HIP0618-R33M	0.33	5.8	22	14
HIP0618-R47M	0.47	7.4	18	12
HIP0618-R68M	0.68	11	17	10
HIP0618-R82M	0.82	14	15.5	8.5
HIP0618-1R0M	1.0	17	14	7
HIP0618-1R5M	1.5	25.2	13	6
HIP0618-2R2M	2.2	35	11	6
HIP0618-3R3M	3.3	46	9	5
HIP0618-4R7M	4.7	76	7	4
HIP0618-6R8M	6.8	104	5.5	3
HIP0618-100M	10	160	3.5	2.3

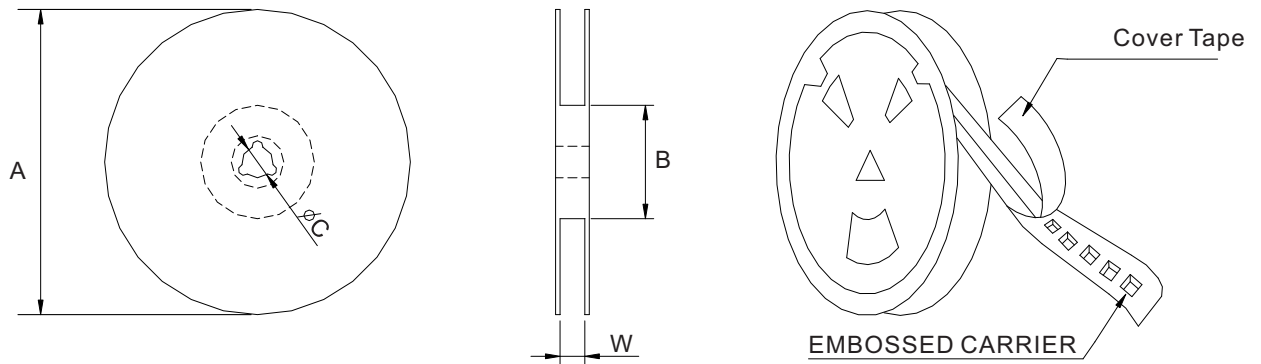
- Inductance tested at 100kHz, 1.0Vrms, 0.0Adc
- Heat Rating Current (Irms): Current that cause the temperature 40°C rise from 25°C
- Saturation Current (Isat): DC current at which the inductance drops 30% from its value without current

Tape & Reel Specifications:



Unit: mm

Type	Dimension	W	P	P1	P2	H	T
	Tolerance	±0.3	±0.1	±0.1	±0.1	±0.15	±0.05
HIP0618		16.0	12.0	4.0	2.0	2.10	0.35



Unit: mm

Type	Dimension	QTY Per Reel	A	B	C	W
	Tolerance	PCS	±2.0	±0.5	±0.5	±0.5
HIP0618		2000	330	97	13	16.8



Features

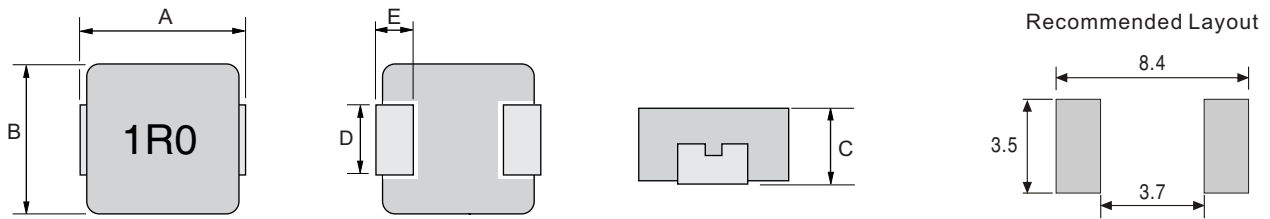
- Shielded Construction
- Core Material: **Carbonyl powder**
- High Current, low DCR, high efficiency
- RoHS, Halogen Free and REACH compliance

General Specifications

- Storage temp range: -55°C to +125°C
- Operating temp range: -55°C to +125°C
- Moisture Sensitivity Level(MSL): 1



▶ Shape and Dimensions (Unit:mm)



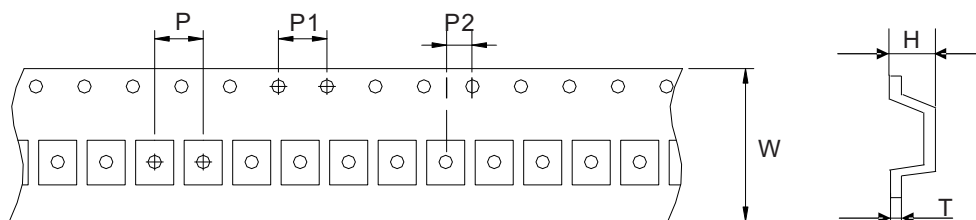
Type	A	B	C	D	E
HIP0624	7.3±0.3	6.6±0.3	2.2±0.2	3.0±0.3	1.6±0.3

▶ Electrical Characteristics For HIP0624 Series @ 25°C

Part Number	Inductance (μH) ±20%	DCR (mΩ) Max.	Isat (A) Typ.	Irms (A) Typ.
HIP0624-R15M	0.15	2.3	45	30
HIP0624-R22M	0.22	3.2	34	21
HIP0624-R33M	0.33	4.4	30	18
HIP0624-R47M	0.47	5.1	26	15
HIP0624-R68M	0.68	7.2	21	13
HIP0624-R82M	0.82	9.5	17	11
HIP0624-1R0M	1.0	13.5	16	10
HIP0624-1R5M	1.5	20	15	9
HIP0624-2R2M	2.2	28	14	7
HIP0624-3R3M	3.3	39	10	6
HIP0624-4R7M	4.7	50	9	5.5
HIP0624-6R8M	6.8	72	7	4
HIP0624-100M	10	101	5	3.2

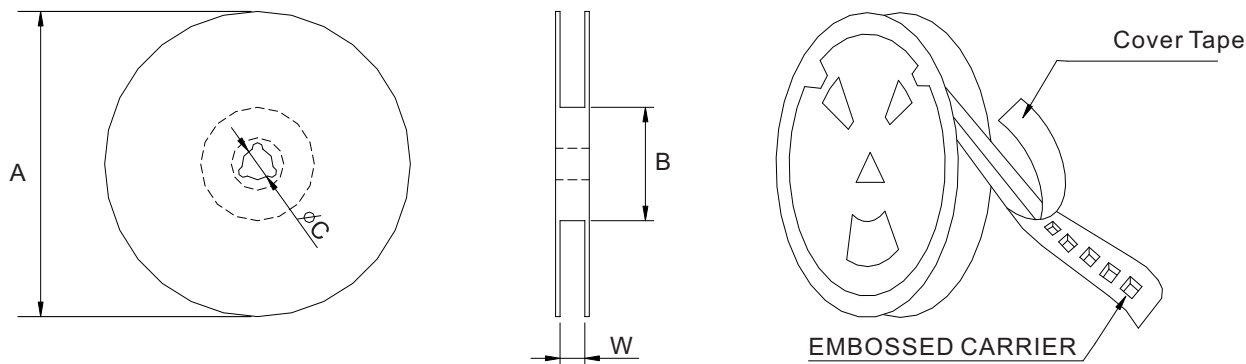
- Inductance tested at 100kHz, 1.0Vrms, 0.0Adc
- Heat Rating Current (Irms): Current that cause the temperature 40°C rise from 25°C
- Saturation Current (Isat): DC current at which the inductance drops 30% from its value without current

▶ Tape & Reel Specifications:



Unit: mm

Type	Dimension	W	P	P1	P2	H	T
	Tolerance	±0.3	±0.1	±0.1	±0.1	±0.15	±0.05
HIP0624		16.0	12.0	4.0	2.0	2.70	0.35



Unit: mm

Type	Dimension	QTY Per Reel	A	B	C	W
	Tolerance	PCS	±2.0	±0.5	±0.5	±0.5
HIP0624		1500	330	97	13	16.8



Features

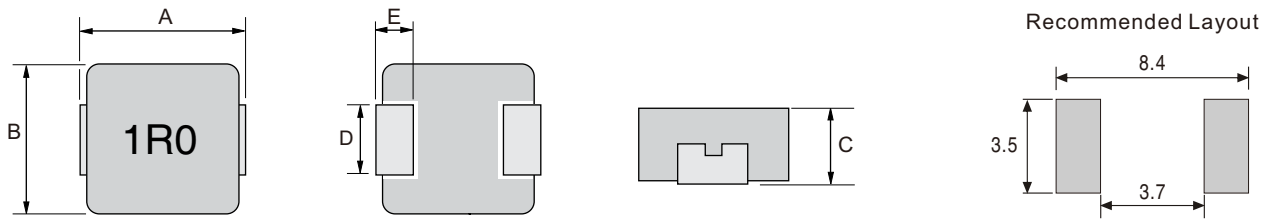
- Shielded Construction
- Core Material: **Carbonyl powder**
- High Current, low DCR, high efficiency
- RoHS, Halogen Free and REACH compliance

General Specifications

- Storage temp range: -55°C to +125°C
- Operating temp range: -55°C to +125°C
- Moisture Sensitivity Level(MSL): 1



Shape and Dimensions (Unit:mm)



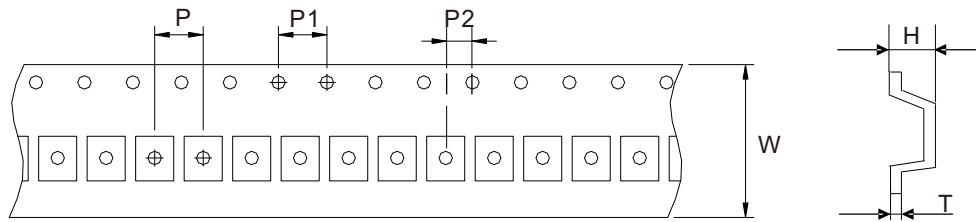
Type	A	B	C	D	E
HIP0630	7.3±0.3	6.6±0.3	2.8±0.2	3.0±0.3	1.6±0.3

Electrical Characteristics For HIP0630 Series @ 25°C

Part Number	Inductance (μH) ±20%	DCR (mΩ) Max.	Isat (A) Typ.	Irms (A) Typ.
HIP0630-R10N	0.1±30%	1.7	60	32.5
HIP0630-R15M	0.15	1.9	45	27
HIP0630-R22M	0.22	2.8	40	23
HIP0630-R33M	0.33	3.9	32	20
HIP0630-R47M	0.47	4.2	26	17.5
HIP0630-R56M	0.56	5	25.5	16.5
HIP0630-R68M	0.68	5.5	25	15.5
HIP0630-R82M	0.82	8	24	13
HIP0630-1R0M	1.0	10	22	11
HIP0630-1R5M	1.5	15	18	9
HIP0630-2R2M	2.2	20	14	8
HIP0630-3R3M	3.3	30	13.5	6
HIP0630-4R7M	4.7	40	10	5.5
HIP0630-5R6M	5.6	48	9	5
HIP0630-6R8M	6.8	60	8	4.5
HIP0630-8R2M	8.2	68	7.5	4
HIP0630-100M	10	85	6	3.5
HIP0630-150M	15	123	4	3
HIP0630-220M	22	190	3.5	2
HIP0630-330M	33	240	2.5	2
HIP0630-470M	47	363	2	1.75

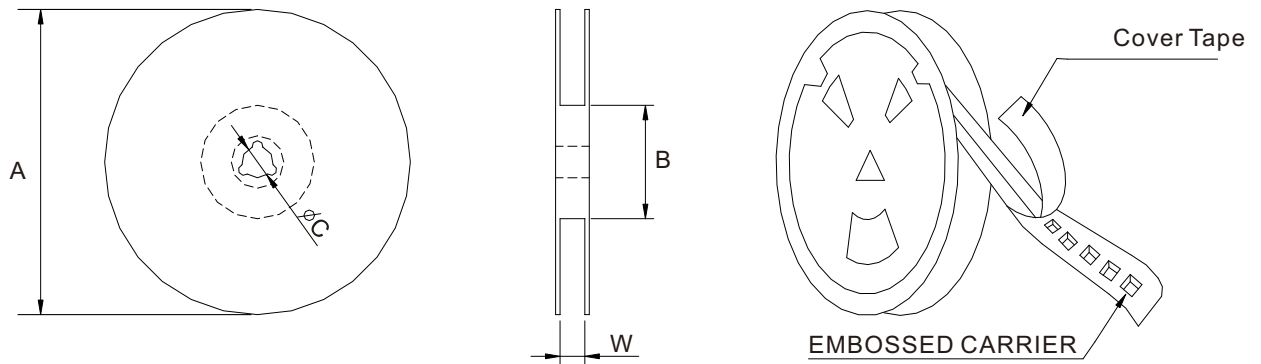
- Inductance tested at 100kHz, 1.0Vrms, 0.0Adc
- Heat Rating Current (Irms): Current that cause the temperature 40°C rise from 25°C
- Saturation Current (Isat): DC current at which the inductance drops 30% from its value without current

Tape & Reel Specifications:



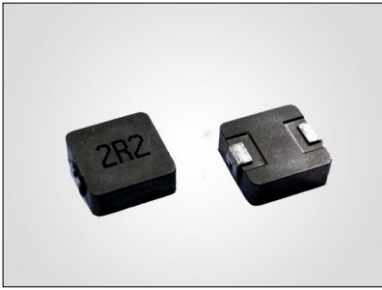
Unit: mm

Type	Dimension	W	P	P1	P2	H	T
	Tolerance	±0.3	±0.1	±0.1	±0.1	±0.15	±0.05
HIP0630		16.0	12.0	4.0	2.0	3.30	0.35



Unit: mm

Type	Dimension	QTY Per Reel	A	B	C	W
	Tolerance	PCS	±2.0	±0.5	±0.5	±0.5
HIP0630		1500	330	97	13	16.8



Features

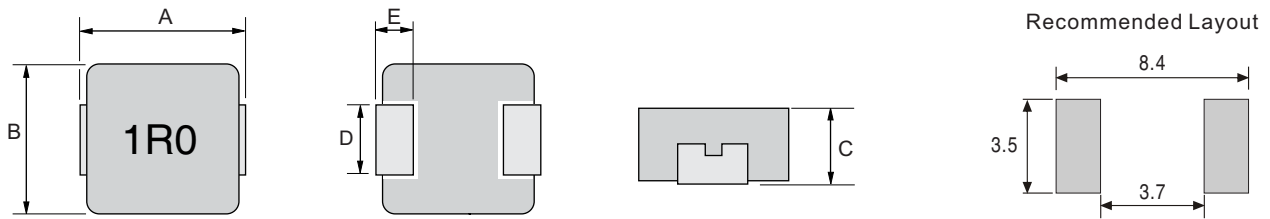
- Shielded Construction
- Core Material: **Carbonyl powder**
- High Current, low DCR, high efficiency
- RoHS, Halogen Free and REACH compliance

General Specifications

- Storage temp range: -55°C to +125°C
- Operating temp range: -55°C to +125°C
- Moisture Sensitivity Level(MSL): 1



▶ Shape and Dimensions (Unit:mm)

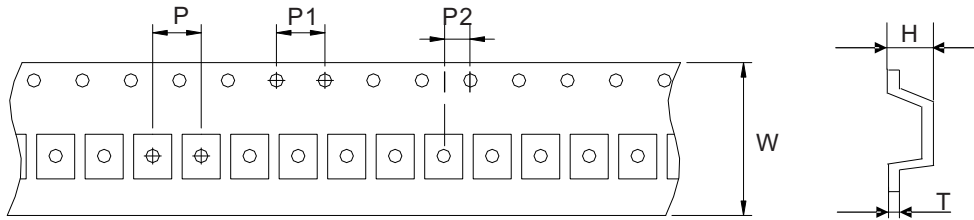


Type	A	B	C	D	E
HIP0650	7.3±0.3	6.6±0.3	4.8±0.2	3.0±0.3	1.6±0.3

▶ Electrical Characteristics For HIP0650 Series @ 25°C

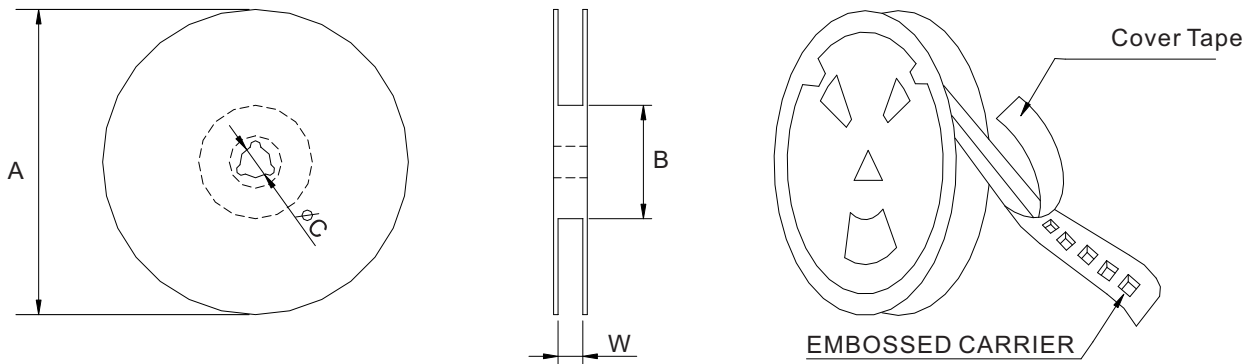
Part Number	Inductance (μH) ±20%	DCR (mΩ) Max.	Isat (A) Typ.	Irms (A) Typ.
HIP0650-R22M	0.22	1.9	35	25
HIP0650-R33M	0.33	3	32	25
HIP0650-R47M	0.47	3.9	30	22
HIP0650-R68M	0.68	4.5	24	18
HIP0650-R82M	0.82	4.9	22	16.5
HIP0650-1R0M	1.0	6.5	20	15
HIP0650-1R2M	1.2	7.5	18	14
HIP0650-1R5M	1.5	9	16.5	12
HIP0650-2R2M	2.2	12	14	10
HIP0650-3R3M	3.3	20.9	12	8
HIP0650-4R7M	4.7	30.8	10	6.5
HIP0650-5R6M	5.6	49	9	6
HIP0650-6R8M	6.8	51.5	8.5	5.5
HIP0650-8R2M	8.2	63	8	5
HIP0650-100M	10	69	7.5	4
HIP0650-150M	15	92	6	3.5
HIP0650-220M	22	170	5.5	2.5
HIP0650-330M	33	200	3.5	2

Tape & Reel Specifications:



Unit: mm

Type	Dimension	W	P	P1	P2	H	T
	Tolerance	±0.3	±0.1	±0.1	±0.1	±0.15	±0.05
HIP0650		16.0	12.0	4.0	2.0	5.50	0.35



Unit: mm

Type	Dimension	QTY Per Reel	A	B	C	W
	Tolerance	PCS	±2.0	±0.5	±0.5	±0.5
HIP0650		1000	330	97	13	16.8



Features

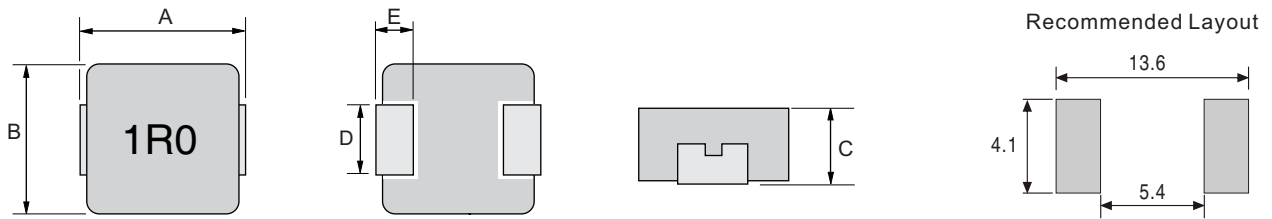
- Shielded Construction
- Core Material: **Carbonyl powder**
- High Current, low DCR, high efficiency
- RoHS, Halogen Free and REACH compliance

General Specifications

- Storage temp range: -55°C to +125°C
- Operating temp range: -55°C to +125°C
- Moisture Sensitivity Level(MSL): 1



▶ Shape and Dimensions (Unit:mm)



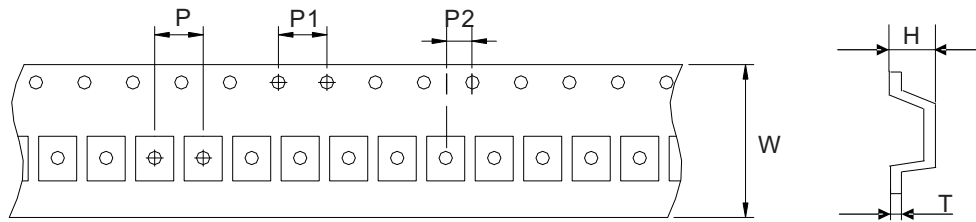
Type	A	B	C	D	E
HIP1030	11.0±0.5	10.0±0.3	2.8±0.2	3.0±0.5	2.0±0.5

▶ Electrical Characteristics For HIP1030 Series @ 25°C

Part Number	Inductance (μH) ±20%	DCR (mΩ) Max.	Isat (A) Typ.	Irms (A) Typ.
HIP1030-1R0M	1.0	6	20	15
HIP1030-3R3M	3.3	16	14	9
HIP1030-4R7M	4.7	22.5	13	7
HIP1030-100M	10	55	8	5

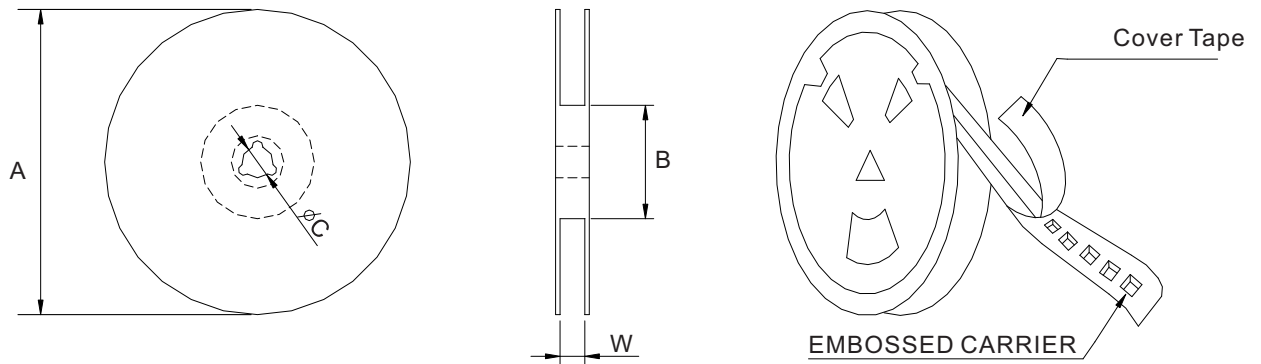
- Inductance tested at 100kHz, 1.0Vrms, 0.0A_{dc}
- Heat Rating Current (I_{rms}): Current that cause the temperature 40°C rise from 25°C
- Saturation Current (I_{sat}): DC current at which the inductance drops 30% from its value without current

Tape & Reel Specifications:



Unit: mm

Type	Dimension	W	P	P1	P2	H	T
	Tolerance	±0.3	±0.1	±0.1	±0.1	±0.15	±0.05
HIP1030		24.0	16.0	4.0	2.0	3.30	0.35



Unit: mm

Type	Dimension	QTY Per Reel	A	B	C	W
	Tolerance	PCS	±2.0	±0.5	±0.5	±0.5
HIP1030		800	330	97	13	24.8



Features

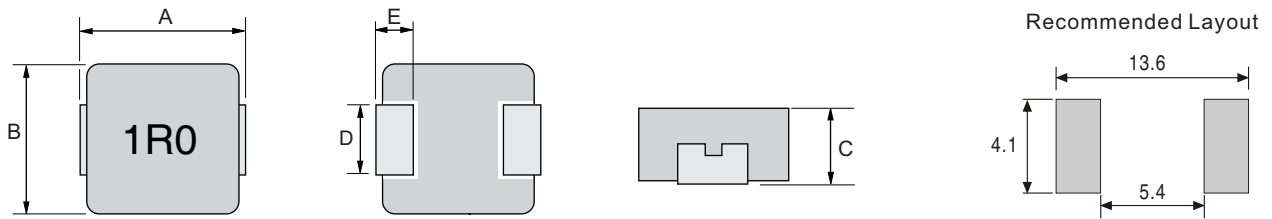
- Shielded Construction
- Core Material: **Carbonyl powder**
- High Current, low DCR, high efficiency
- RoHS, Halogen Free and REACH compliance

General Specifications

- Storage temp range: -55°C to +125°C
- Operating temp range: -55°C to +125°C
- Moisture Sensitivity Level(MSL): 1



▶ Shape and Dimensions (Unit:mm)

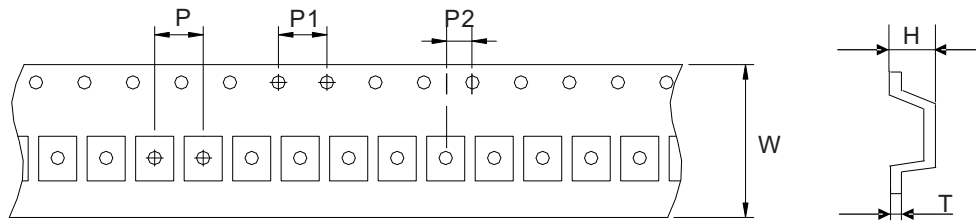


Type	A	B	C	D	E
HIP1040	11.0±0.5	10.0±0.3	3.8±0.2	3.0±0.5	2.0±0.5

▶ Electrical Characteristics For HIP1040 Series @ 25°C

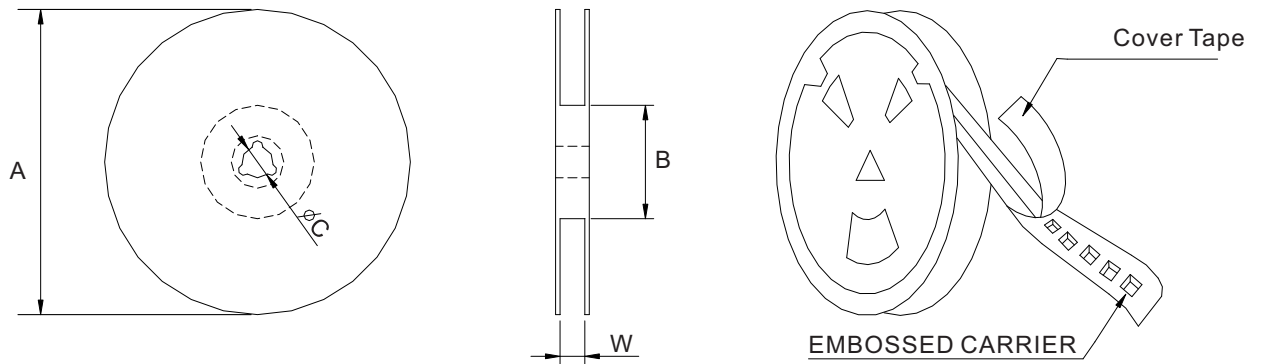
Part Number	Inductance (μH) ±20%	DCR (mΩ) Max.	Isat (A) Typ.	Irms (A) Typ.
HIP1040-R22M	0.22	1	60	35
HIP1040-R36M	0.36	1.2	60	31
HIP1040-R45M	0.45	1.5	45	29
HIP1040-R47M	0.47	1.5	43	28
HIP1040-R56M	0.56	1.8	40	25
HIP1040-R68M	0.68	2.7	39	22
HIP1040-1R0M	1.0	3.3	36	18
HIP1040-1R5M	1.5	4.6	33	16
HIP1040-2R2M	2.2	7	27	12
HIP1040-3R3M	3.3	11.8	20	11
HIP1040-4R7M	4.7	15.5	17	10
HIP1040-5R6M	5.6	19.3	14	9
HIP1040-6R8M	6.8	23.3	13.5	8.5
HIP1040-100M	10	30	12	7.5
HIP1040-150M	15	45	10	6.25
HIP1040-220M	22	74	7	5
HIP1040-330M	33	112	5	3.5
HIP1040-470M	47	167	4.5	3

Tape & Reel Specifications:



Unit: mm

Type	Dimension	W	P	P1	P2	H	T
	Tolerance	±0.3	±0.1	±0.1	±0.1	±0.15	±0.05
HIP1040		24.0	16.0	4.0	2.0	4.30	0.35



Unit: mm

Type	Dimension	QTY Per Reel	A	B	C	W
	Tolerance	PCS	±2.0	±0.5	±0.5	±0.5
HIP1040		500	330	97	13	24.8



Features

- Shielded Construction
- Core Material: **Carbonyl powder**
- High Current, low DCR, high efficiency
- RoHS, Halogen Free and REACH compliance

General Specifications

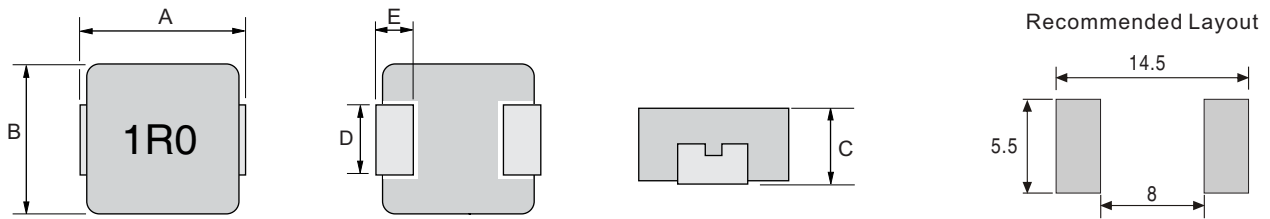
- Storage temp range: -55°C to +125°C
- Operating temp range: -55°C to +125°C
- Moisture Sensitivity Level(MSL): 1

Note

- HIP1235-R47M~R82M Dimensions D:3.85±0.5
- HIP1235-1R0M~470M Dimensions D:4.7±0.5



▶ Shape and Dimensions (Unit:mm)

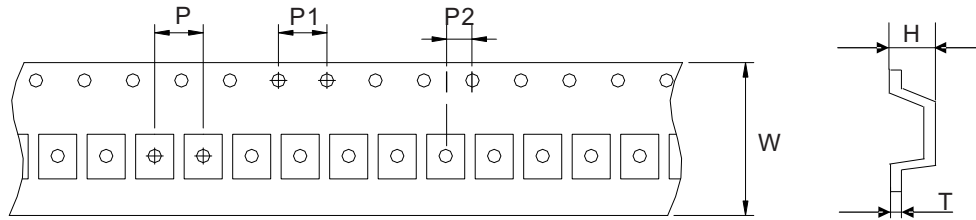


Type	A	B	C	D	E
HIP1235	13.5±0.5	12.6±0.3	3.3±0.2	3.85±0.5 / 4.7±0.5	2.0±0.5

▶ Electrical Characteristics For HIP1235 Series @ 25°C

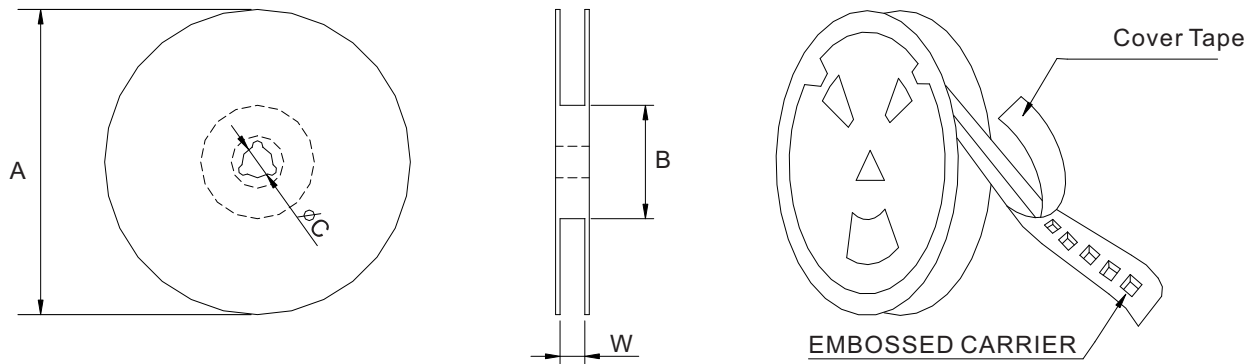
Part Number	Inductance (μH) ±20%	DCR (mΩ) Max.	Isat (A) Typ.	Irms (A) Typ.
HIP1235-R47M	0.47	2	55	32
HIP1235-R68M	0.68	2.5	49	28
HIP1235-R82M	0.82	3	44	25
HIP1235-1R0M	1.0	3.5	40	24
HIP1235-1R5M	1.5	5.5	35	19
HIP1235-2R2M	2.2	8	29	16
HIP1235-3R3M	3.3	12	27	12
HIP1235-4R7M	4.7	18	22	10
HIP1235-5R6M	5.6	22	19	9.5
HIP1235-6R8M	6.8	24	18	9
HIP1235-8R2M	8.2	28	16	8.5
HIP1235-100M	10	34	14	7.5
HIP1235-150M	15	65	10	6.5
HIP1235-220M	22	99	7	4.5
HIP1235-330M	33	160	6	3.5
HIP1235-470M	47	218	5.5	3

Tape & Reel Specifications:



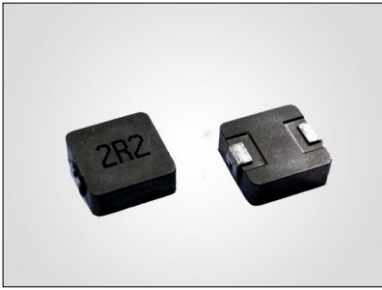
Unit: mm

Type	Dimension	W	P	P1	P2	H	T
	Tolerance	±0.3	±0.1	±0.1	±0.1	±0.15	±0.05
HIP1235		24.0	16.0	4.0	2.0	3.80	0.50



Unit: mm

Type	Dimension	QTY Per Reel	A	B	C	W
	Tolerance	PCS	±2.0	±0.5	±0.5	±0.5
HI1235		500	330	97	13	24.8



Features

- Shielded Construction
- Core Material: **Carbonyl powder**
- High Current, low DCR, high efficiency
- RoHS, Halogen Free and REACH compliance

General Specifications

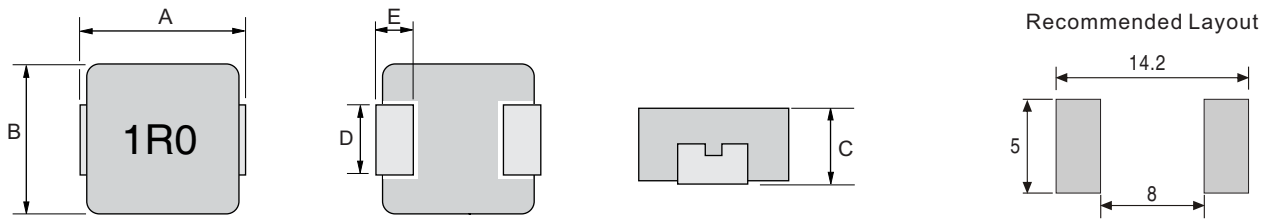
- Storage temp range: -55°C to +125°C
- Operating temp range: -55°C to +125°C
- Moisture Sensitivity Level(MSL): 1

Note

- HIP1250-R33M~1R5M Dimensions D:3.85±0.5
- HIP1250-2R2M~330M Dimensions D:4.7±0.5



▶ Shape and Dimensions (Unit:mm)



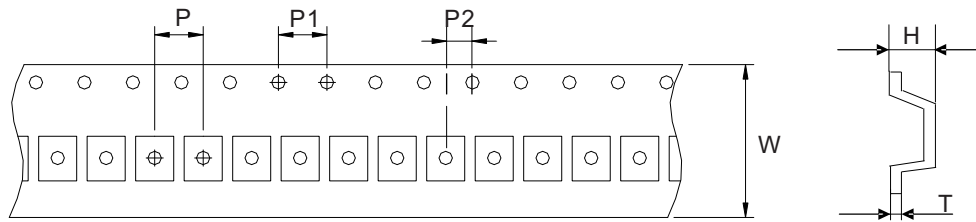
Type	A	B	C	D	E
HIP1250	13.5±0.5	12.6±0.3	4.7±0.3	3.85±0.5 / 4.7±0.5	2.0±0.5

▶ Electrical Characteristics For HIP1250 Series @ 25°C

Part Number	Inductance (μH) ±20%	DCR (mΩ) Max.	Isat (A) Typ.	Irms (A) Typ.
HIP1250-R33M	0.33	0.9	80	42
HIP1250-R47M	0.47	1.1	65	38
HIP1250-R56M	0.56	1.5	55	36
HIP1250-R68M	0.68	1.7	54	34
HIP1250-R82M	0.82	2.1	52	31
HIP1250-1R0M	1.0	2.5	50	29
HIP1250-1R5M	1.5	3.3	48	27
HIP1250-2R2M	2.2	5.5	32	20
HIP1250-3R3M	3.3	9.2	32	15
HIP1250-4R7M	4.7	15	27	12
HIP1250-5R6M	5.6	16.5	22	11.5
HIP1250-6R8M	6.8	18.5	21	11
HIP1250-8R2M	8.2	22.5	18	9.5
HIP1250-100M	10	25.5	16	9
HIP1250-150M	15	38	13	8.2
HIP1250-220M	22	58	10	6.5
HIP1250-330M	33	88	8	5

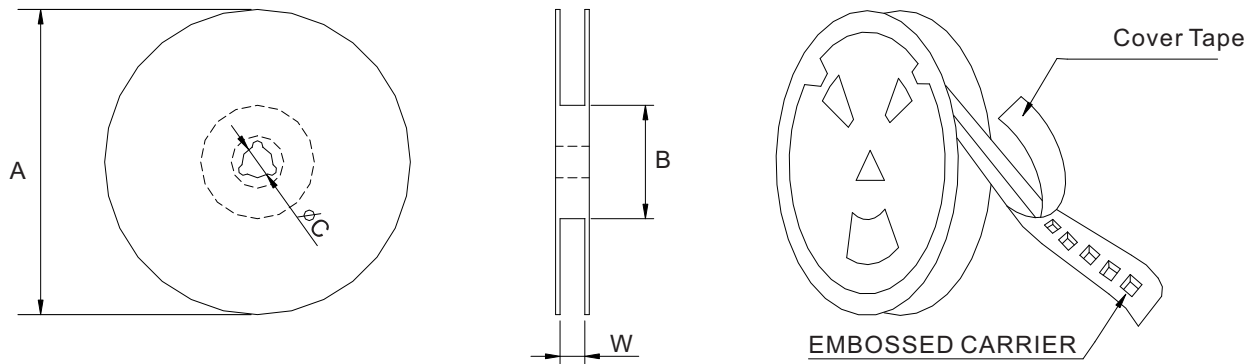
- Inductance tested at 100kHz, 1.0Vrms, 0.0Adc
- Heat Rating Current (Irms): Current that cause the temperature 40°C rise from 25°C
- Saturation Current (Isat): DC current at which the inductance drops 30% from its value without current

Tape & Reel Specifications:



Unit: mm

Type	Dimension	W	P	P1	P2	H	T
	Tolerance	±0.3	±0.1	±0.1	±0.1	±0.15	±0.05
HIP1250		24.0	16.0	4.0	2.0	5.40	0.50



Unit: mm

Type	Dimension	QTY Per Reel	A	B	C	W
	Tolerance	PCS	±2.0	±0.5	±0.5	±0.5
HIP1250		500	330	97	13	24.8



Features

- Shielded Construction
- Core Material: **Carbonyl powder**
- High Current, low DCR, high efficiency
- RoHS, Halogen Free and REACH compliance

General Specifications

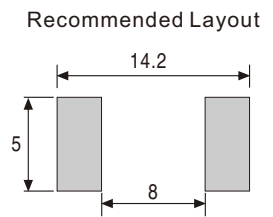
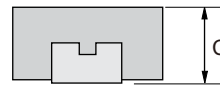
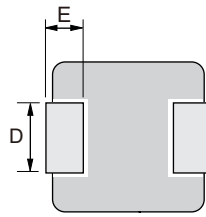
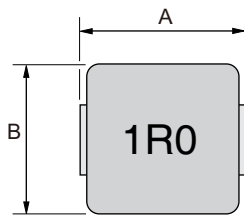
- Storage temp range: -55°C to +125°C
- Operating temp range: -55°C to +125°C
- Moisture Sensitivity Level(MSL): 1

Note

- HIP1260-R47M~1R5M Dimensions D:3.85±0.5
- HIP1260-2R2M~151M Dimensions D:4.7±0.5



▶ Shape and Dimensions (Unit:mm)

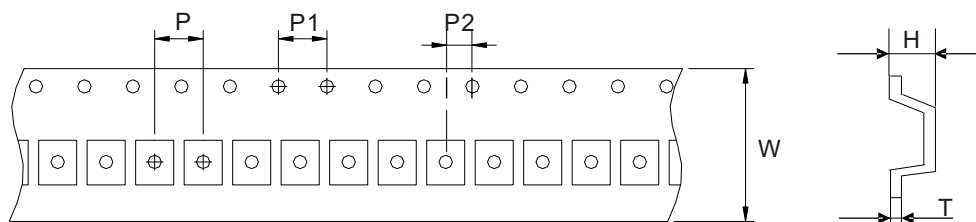


Type	A	B	C	D	E
HIP1260	13.5±0.5	12.6±0.3	5.7±0.3	3.85±0.5 / 4.7±0.5	2.0±0.5

▶ Electrical Characteristics For HIP1260 Series @ 25°C

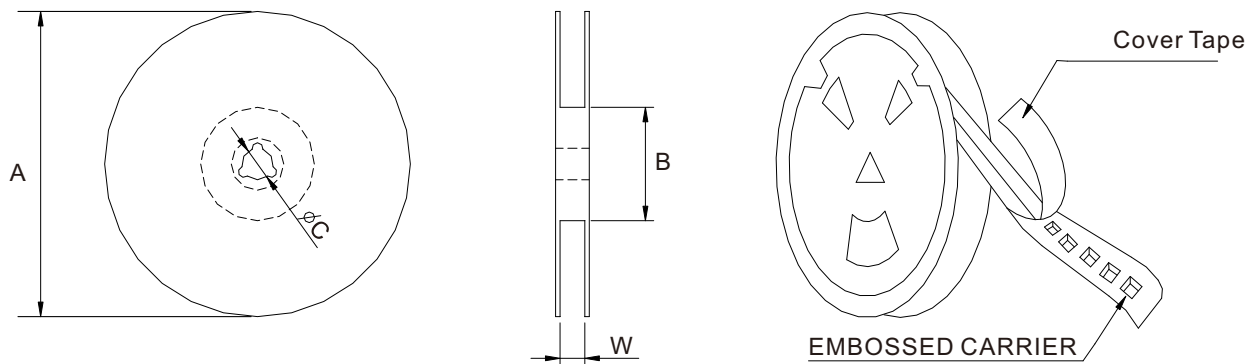
Part Number	Inductance (μH) ±20%	DCR (mΩ) Max.	Isat (A) Typ.	Irms (A) Typ.
HIP1260-R47M	0.47	1.3	64	38
HIP1260-R68M	0.68	1.7	57	33
HIP1260-1R0M	1.0	2.4	53	29
HIP1260-1R5M	1.5	3.2	50	26
HIP1260-2R2M	2.2	4.7	43	21
HIP1260-3R3M	3.3	7.1	35	17
HIP1260-4R7M	4.7	11.5	30	16
HIP1260-6R8M	6.8	13.8	25	15
HIP1260-8R2M	8.2	16	23	11
HIP1260-100M	10	20.7	21	11
HIP1260-150M	15	29	16	9
HIP1260-220M	22	39.5	14	8
HIP1260-330M	33	75	12	6
HIP1260-470M	47	90	11	5.5
HIP1260-680M	68	140	9	5
HIP1260-820M	82	161	8.5	4.5
HIP1260-101M	100	200	8	4
HIP1260-121M	120	235	7	3.5
HIP1260-151M	150	350	6	3

▶ Tape & Reel Specifications:



Unit: mm

Type	Dimension	W	P	P1	P2	H	T
	Tolerance	±0.3	±0.1	±0.1	±0.1	±0.15	±0.05
HIP1260		24.0	16.0	4.0	2.0	6.30	0.50



Unit: mm

Type	Dimension	QTY Per Reel	A	B	C	W
	Tolerance	PCS	±2.0	±0.5	±0.5	±0.5
HIP1260		500	330	97	13	24.8



Features

- Shielded Construction
- Core Material: **Carbonyl powder**
- High Current, low DCR, high efficiency
- RoHS, Halogen Free and REACH compliance

General Specifications

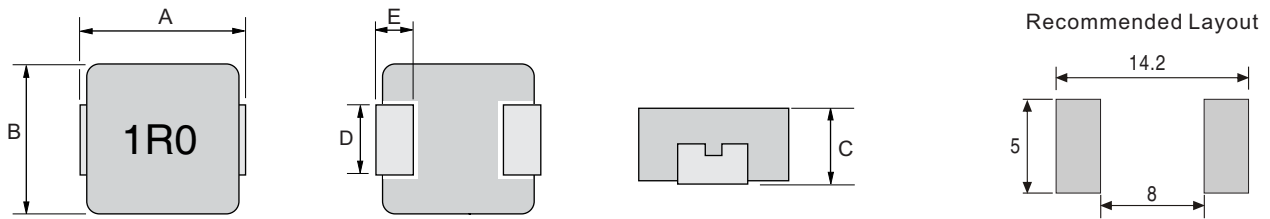
- Storage temp range: -55°C to +125°C
- Operating temp range: -55°C to +125°C
- Moisture Sensitivity Level(MSL): 1

Note

- HIP1265-R47M~1R5M Dimensions D:3.85±0.5
- HIP1265-2R2M~680M Dimensions D:4.7±0.5



▶ Shape and Dimensions (Unit:mm)



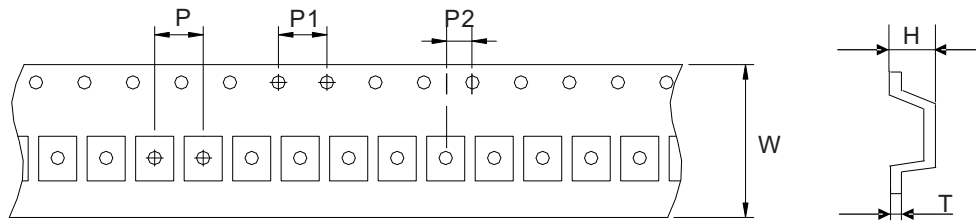
Type	A	B	C	D	E
HIP1265	13.5±0.5	12.6±0.3	6.2±0.3	3.85±0.5 / 4.7±0.5	2.0±0.5

▶ Electrical Characteristics For HIP1265 Series @ 25°C

Part Number	Inductance (μH) ±20%	DCR (mΩ) Max.	Isat (A) Typ.	Irms (A) Typ.
HIP1265-R47M	0.47	1.2	63	41
HIP1265-R68M	0.68	1.5	55	35
HIP1265-1R0M	1.0	2.3	48	30
HIP1265-1R5M	1.5	3	45	27
HIP1265-2R2M	2.2	4.2	37	22
HIP1265-3R3M	3.3	6.8	30	18
HIP1265-4R7M	4.7	8.4	28	13.5
HIP1265-6R8M	6.8	11.5	18	11.5
HIP1265-8R2M	8.2	15.5	16	10.5
HIP1265-100M	10	16.5	15.5	10
HIP1265-150M	15	28	13	9
HIP1265-220M	22	37	12	9

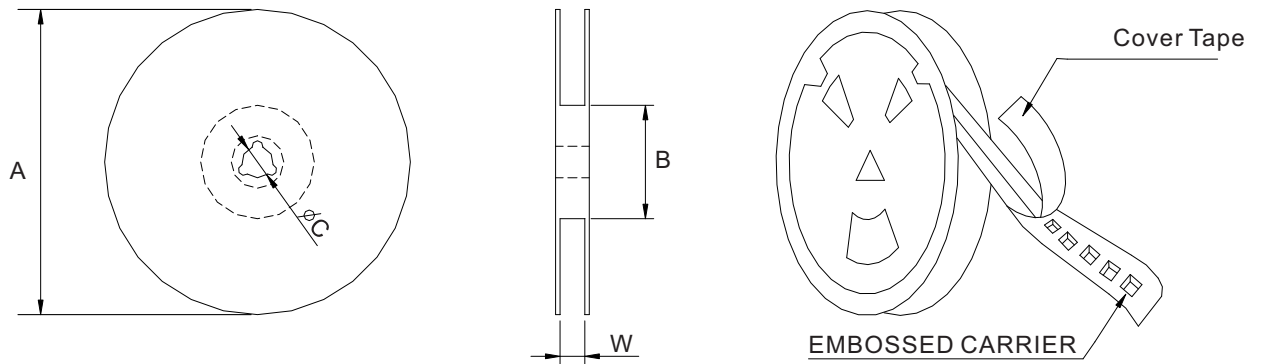
- Inductance tested at 100kHz, 1.0Vrms, 0.0Adc
- Heat Rating Current (Irms): Current that cause the temperature 40°C rise from 25°C
- Saturation Current (Isat): DC current at which the inductance drops 30% from its value without current

▶ Tape & Reel Specifications:



Unit: mm

Type	Dimension	W	P	P1	P2	H	T
	Tolerance	±0.3	±0.1	±0.1	±0.1	±0.15	±0.05
HI1265		24.0	16.0	4.0	2.0	6.80	0.50



Unit: mm

Type	Dimension	QTY Per Reel	A	B	C	W
	Tolerance	PCS	±2.0	±0.5	±0.5	±0.5
HI1265		500	330	97	13	24.8



Features

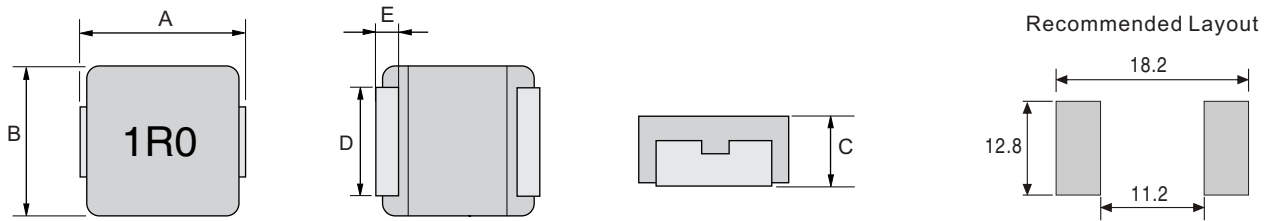
- Shielded Construction
- Core Material: **Carbonyl powder**
- High Current, low DCR, high efficiency
- RoHS, Halogen Free and REACH compliance

General Specifications

- Storage temp range: -55°C to +125°C
- Operating temp range: -55°C to +125°C
- Moisture Sensitivity Level(MSL): 1



▶ Shape and Dimensions (Unit:mm)



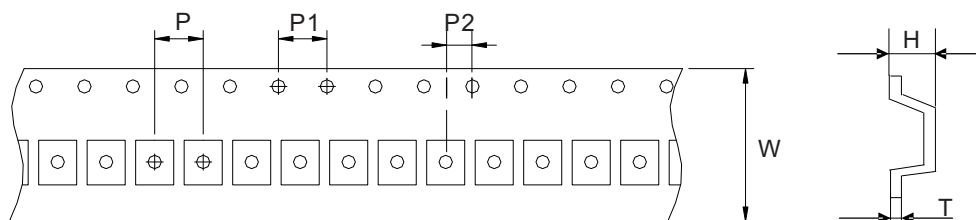
Type	A	B	C	D	E
HIP1770	17.5±0.5	17.0±0.3	7.0Max	12.0±0.3	2.5±0.5

▶ Electrical Characteristics For HIP1770 Series @ 25°C

Part Number	Inductance (μH) ±20%	DCR (mΩ) Max.	Isat (A) Typ.	Irms (A) Typ.
HIP1770-1R0M	1.0	2	70	52
HIP1770-1R5M	1.5	2.5	65	47
HIP1770-2R2M	2.2	2.7	62	43.5
HIP1770-3R3M	3.3	3.9	54	28
HIP1770-4R7M	4.7	5.5	50	25
HIP1770-6R8M	6.8	9.2	39	19
HIP1770-8R2M	8.2	10.8	31	18
HIP1770-100M	10	13	29	16.5
HIP1770-150M	15	20.5	27	12.5
HIP1770-220M	22	26.5	23	12
HIP1770-330M	33	44	20	10.7
HIP1770-390M	39	48	18	9.2
HIP1770-470M	47	55	16	8.7
HIP1770-560M	56	62	15	7.8
HIP1770-680M	68	80	13	7
HIP1770-101M	100	118	12	5.3

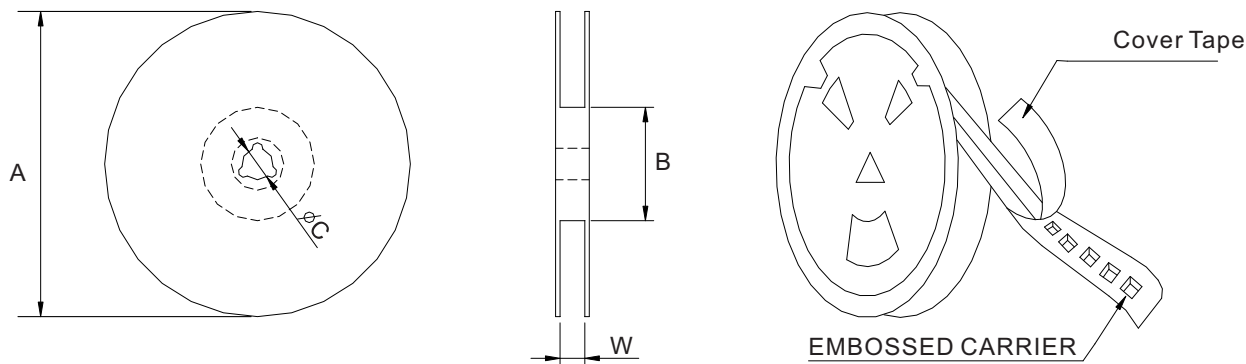
- Inductance tested at 100kHz, 1.0Vrms, 0.0Adc
- Heat Rating Current (Irms): Current that cause the temperature 40°C rise from 25°C
- Saturation Current (Isat): DC current at which the inductance drops 30% from its value without current

▶ Tape & Reel Specifications:



Unit: mm

Type	Dimension	W	P	P1	P2	H	T
	Tolerance	±0.3	±0.1	±0.1	±0.1	±0.15	±0.05
HIP1770		32.0	24.0	4.0	2.0	7.30	0.50



Unit: mm

Type	Dimension	QTY Per Reel	A	B	C	W
	Tolerance	PCS	±2.0	±0.5	±0.5	±0.5
HIP1770		200	330	97	13	32.8



Features

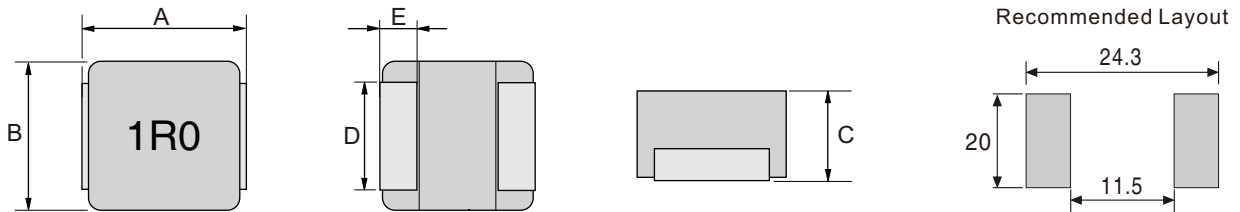
- Shielded Construction
- Core Material: Carbonyl powder core
- High Current, low DCR, high efficiency
- RoHS, Halogen Free and REACH compliance

General Specifications

- Storage temp range: -55°C to +125°C
- Operating temp range: -55°C to +125°C
- Moisture Sensitivity Level(MSL): 1



▶ Shape and Dimensions (Unit:mm)



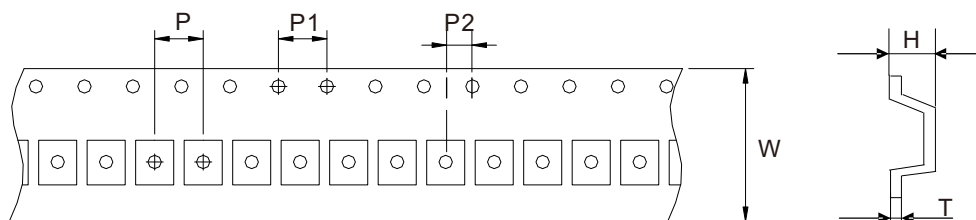
Type	A	B	C	D	E
HIP2213	22.5±0.5	22±0.3	13.0Max	18.6±0.3	5.0±0.5

▶ Electrical Characteristics For HIP2213 Series @ 25°C

Part Number	Inductance (μH) ±20%	DCR (mΩ) Max.	Isat (A) Typ.	Irms (A) Typ.
HIP2213-1R0M	1.0	0.89	71.0	69.0
HIP2213-1R5M	1.5	1.20	53.0	65.0
HIP2213-2R2M	2.2	1.25	48.0	58.0
HIP2213-3R3M	3.3	1.80	41.0	49.0
HIP2213-4R7M	4.7	1.84	37.0	47.0
HIP2213-5R6M	5.6	2.50	36.5	40.0
HIP2213-6R8M	6.8	3.09	36.0	36.0
HIP2213-100M	10	4.14	28.0	28.0
HIP2213-150M	15	6.11	24.0	23.5
HIP2213-220M	22	10.8	16.0	17.5
HIP2213-330M	33	15.4	15.5	15.5
HIP2213-470M	47	17.7	13.0	13.5
HIP2213-560M	56	28.0	12.0	13.0
HIP2213-680M	68	29.5	11.0	12.5
HIP2213-750M	75	31.6	10.0	12.0
HIP2213-820M	82	34.2	9.0	10.2
HIP2213-101M	100	39.4	8.0	9.1
HIP2213-151M	150	80.0	7.0	6.0
HIP2213-201M	200	105	7.0	5.0
HIP2213-221M	220	125	6.0	4.5
HIP2213-401M	400	230	6.0	4.0

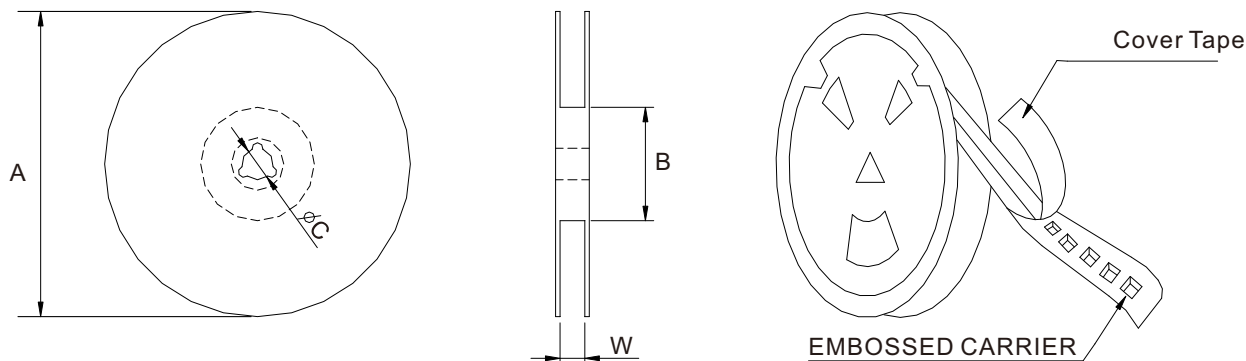
- Inductance tested at 100kHz, 1.0Vrms, 0.0Adc
- Heat Rating Current (Irms): Current that cause the temperature 40°C rise from 25°C
- Saturation Current (Isat): DC current at which the inductance drops 30% from its value without current

Tape & Reel Specifications:



Unit: mm

Type	Dimension	W	P	P1	P2	H	T
	Tolerance	±0.3	±0.1	±0.1	±0.1	±0.15	±0.05
HIP2213		44.0	32.0	4.0	2.0	13.20	0.50



Unit: mm

Type	Dimension	QTY Per Reel	A	B	C	W
	Tolerance	PCS	±2.0	±0.5	±0.5	±0.5
HIP2213		100	330	97	13	44.0